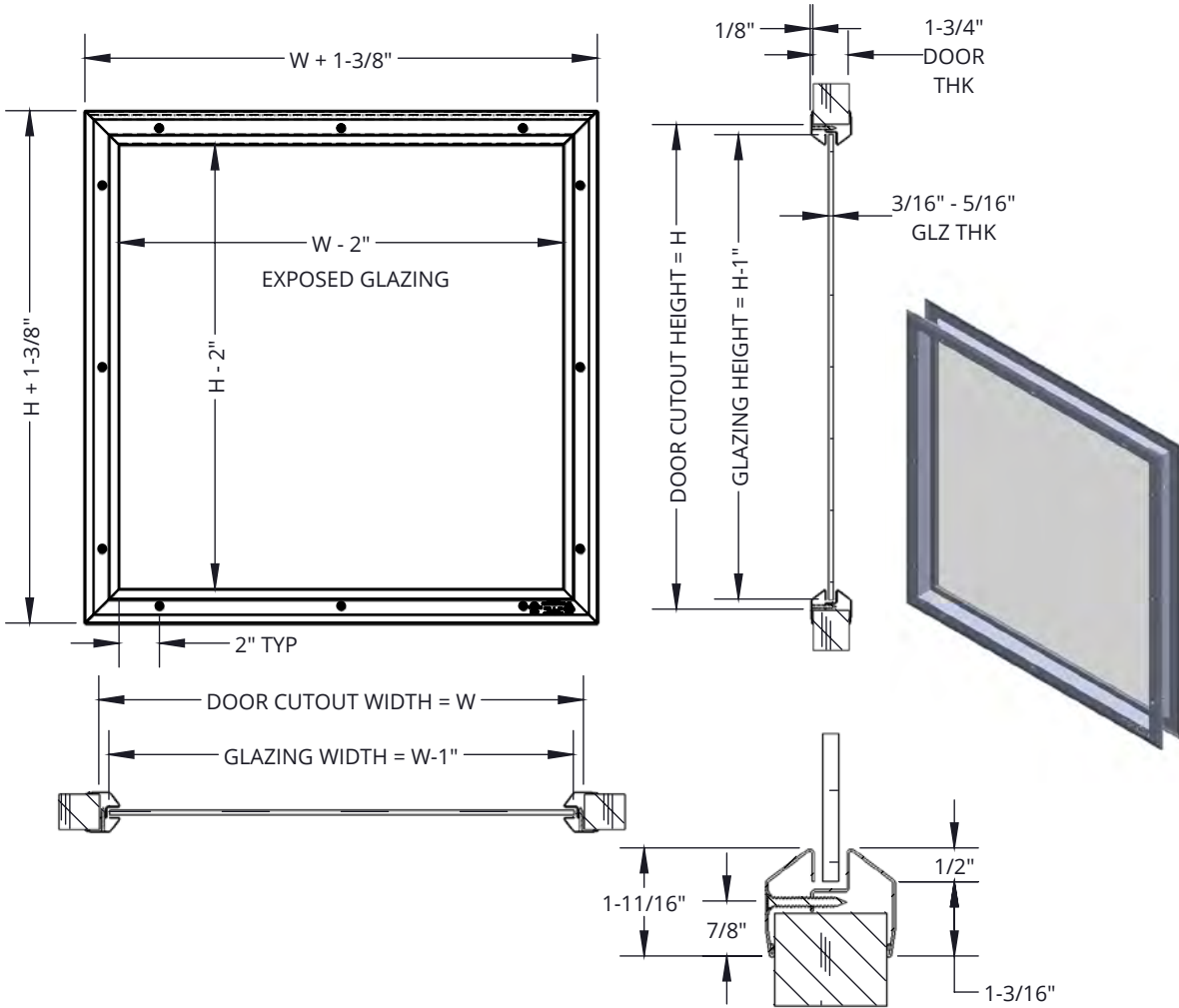


**UP TO 3 HOURS**

**VISION LITE - SLIMLINE™ SERIES VISION LITE - VSLH**

Low profile, hem-strengthened Slimline vision lites mount flush to the door with self-attaching, single-sided fasteners. A minimal 1/8" protrusion provides a clean, aesthetic look. VSLH models are for standard door thickness 1-3/4" and glazing thickness 3/16" - 5/16".



**SPECIFICATIONS:**

**Application:** For door thickness 1-3/4" and glazing thickness 3/16" - 5/16"

**Frame Material:** 20 gauge cold rolled steel

**Standard Finish:** Mineral bronze powder coat

**Fasteners:** #8A x 1-1/4" Flathead Phillips screws to match finish  
**Size:**

**Minimum:** 4" x 4"

**Maximum:** 48" x 90"

Door Cutout = Order Size (W x H)

Glazing Size = Order Size minus 1" (W - 1" x H - 1")

Exposed Glazing = Order Size minus 2" (W - 2" x H - 2")

**FIRE RATINGS:**

UL listed and labeled/stamped to ANSI/UL 10B, ANSI/UL 10C and CAN/ULC S104 when properly installed in rated and approved door. Ratings up to 180 minutes can be achieved depending on exposed glazing size and area.

**OPTIONS:**

**Materials:** 20 gauge 304 Stainless steel, galvanized steel, zinc-plated steel

**Mullions:** 1" x 5/8" welded-on, formed mullions for a divided lite look that uses one (1) pane of glass

**PAKs:** Vision lite, glazing, and glazing tape combined

**Compatible Air Louvers Glazing:**

**Fire-Rated:** PYRO, PPF, FL, FLP, WS

**Non-Rated:** TEMP

**Other:** Torx screws

*Interpretation of fire and building codes may vary. Consult with the local authority having jurisdiction (AHJ) to determine appropriate standards.*

**TAPE WHEN SOLD SEPARATELY**

Qty	Model	Description Dimensions
	<b>GTAPE 200B</b>	Standard glazing tape 1/16" 1/16" thick x 3/8" wide x 200 ft
	<b>GTAPE-F-100B</b>	Standard glazing tape 1/8" 1/8" thick x 3/8" wide x 100 ft
	<b>FGS3000S90</b>	Intumescent tape for wired glass 5/64" thick x 7/16" wide x 16 ft

Refer to glazing tape submittal for more information



**AIR LOUVERS**

9702 Newton Ave S. Bloomington, MN 55431 | Many Locations Nationwide

800-554-6077

sales@activarcpg.com

www.activarcpg.com

Distributor:

Project:

Contractor:

Approved By:

Date:

Architect:

Scale: N/A

Page 1 of 2

Item #:

**VSLH: COMMON SIZES**

QTY	MODEL	ROUGH OPENING	COLOR
	VSLH-0535B	5" x 35"	Bronze
	VSLH-0627B	6" x 27"	
	VSLH-0630B	6" x 30"	
	VSLH-0636B	6" x 36"	
	VSLH-0722B	7" x 22"	
	VSLH-0832B	8" x 32"	
	VSLH-0836B	8" x 36"	
	VSLH-1212B	12" x 12"	
	VSLH-1818B	18" x 18"	
	VSLH-2060B	20" x 60"	
	VSLH-2424B	24" x 24"	
	VSLH-2430B	24" x 30"	
	VSLH-2432B	24" x 32"	
	VSLH-2434B	24" x 34"	
	VSLH-2436B	24" x 36"	
	VSLH-2460B	24" x 60"	
	VSLH-2462B	24" x 62"	

QTY	MODEL	ROUGH OPENING	COLOR
	VSLH-2464B	24" x 64"	Bronze
	VSLH-2466B	24" x 66"	
	VSLH-0535G	5" x 35"	Gray
	VSLH-0627G	6" x 27"	
	VSLH-0722G	7" x 22"	
	VSLH-0832G	8" x 32"	
	VSLH-1212G	12" x 12"	
	VSLH-2424G	24" x 24"	
	VSLH-2430G	24" x 30"	
	VSLH-2432G	24" x 32"	
	VSLH-2436G	24" x 36"	
	VSLH-2464G	24" x 64"	

**VSLH PAKS: VISION LITE + GLASS + TAPE APPLIED**

QTY	MODEL	ROUGH OPENING	COLOR	GLAZING	FIRE-RATING
	VSLH-1212B PPF PAK	12" x 12"	Bronze	Pyran Platinum F	180
	VSLH-0535B PPF PAK	5" x 35"			180
	VSLH-0627B PPF PAK	6" x 27"			180
	VSLH-0722B PPF PAK	7" x 22"		Wireshield	180
	VSLH-2430B PPF PAK	24" x 30"			90
	VSLH-1212B WS PAK	12" x 12"			90
	VSLH-0535B WS PAK	5" x 35"			90
	VSLH-0627B WS PAK	6" x 27"		90	
	VSLH-0722B WS PAK	7" x 22"		90	
	VSLH-2430B WS PAK	24" x 30"		45	

QTY	MODEL	ROUGH OPENING	COLOR	GLAZING	FIRE-RATING*
	VSLH-1212B TEMP PAK	12" x 12"	Bronze	Tempered Glass	Non-Fire-Rated
	VSLH-0535B TEMP PAK	5" x 35"			
	VSLH-0627B TEMP PAK	6" x 27"			
	VSLH-0722B TEMP PAK	7" x 22"			
	VSLH-0832B TEMP PAK	8" x 32"			
	VSLH-0836B TEMP PAK	8" x 36"			
	VSLH-2424B TEMP PAK	24" x 24"			
	VSLH-2430B TEMP PAK	24" x 30"			
	VSLH-2432B TEMP PAK	24" x 32"			
	VSLH-2436B TEMP PAK	24" x 36"			
	VSLH-2460B TEMP PAK	24" x 60"			
	VSLH-2464B TEMP PAK	24" x 64"			

**MADE-TO-ORDER SLIMLINE™ VISION LITE - EXAMPLE: VSLH-2432B PYRO PAK-T**

QTY	MODEL	MATERIAL	(MULLIONS)	- WIDTH	HEIGHT	FINISH	(PAK GLAZING)	(OPTIONS)
	VSLH	(Cold Rolled Steel)	(None)	(None)		<b>B</b> (Bronze - Std.)	(None)	(None)
		<b>S</b> (Stainless Steel)	<b>A</b> (1 Column)	<b>2</b> (2 Rows)		<b>AB</b> (AMS Beige)	<b>FL PAK</b> 3/16" (Firelite NT)	<b>-T</b> (Torx Screw)
		<b>G</b> (Galvannealed Steel)	<b>B</b> (2 Column)	<b>3</b> (3 Rows)		<b>SB</b> (SC Beige)	<b>PPF PAK</b> 3/16" (Pyran Platinum F)	
		<b>E</b> (Zinc-Plated Steel)	<b>C</b> (3 Column)	<b>4</b> (4 Rows)		<b>S</b> (Sand)	<b>PYRO PAK</b> 1/4" (Pyroshield)	
				<b>5</b> (5 Rows)		<b>G</b> (Gray)	<b>TEMP PAK</b> 1/4" (Non-rated Tempered)	
						<b>SI</b> (Silver)	<b>WS PAK</b> 1/4" (Wireshield)	
						<b>W</b> (White)	<b>FLP PAK</b> 5/16" (Firelite Plus)	
						<b>BK</b> (Black)		
						<b>FB</b> (Flat Black)		
						<b>BA</b> (Brass)		

**MULLIONS**

	2	3	4	5
<b>A</b>	<b>A2</b> Min: 6" x 6"	<b>A3</b> Min: 6" x 7"	<b>A4</b> Min: 6" x 9"	<b>A5</b> Min: 6" x 11"
<b>B</b>	<b>B2</b> Min: 6" x 6"	<b>B3</b> Min: 6" x 7"	<b>B4</b> Min: 6" x 9"	<b>B5</b> Min: 6" x 11"
<b>C</b>	--	<b>C3</b> Min: 7" x 7"	<b>C4</b> Min: 7" x 9"	<b>C5</b> Min: 7" x 11"

**(MULLION OPTIONS)**

(1" x 5/8" Standard Mullion)
(1/2" x 1/2" Optional Size)
(1/2" x 3/4" Optional Size)

Min. Lite Size for Mullions varies with columns and rows, see chart.



VSLH-1212B



VSLHB2-1212B



VSLH-1214B PPF PAK

It is the responsibility of the customer to communicate specifications and product performance requirements that are needed for their application. This document is intended to convey potential product configurations and offerings. It is not to be used to imply or represent a specification or rating, of finished products shipped. Detailed, specific submittals can be created upon request. It is the responsibility of the customer to specify product accordingly to comply with local laws, codes, and ordinances.