

# ROOF HATCH DEFLECTOR PLATE KIT: RHD-KIT-DEFLECTOR

## SPECIFICATIONS:

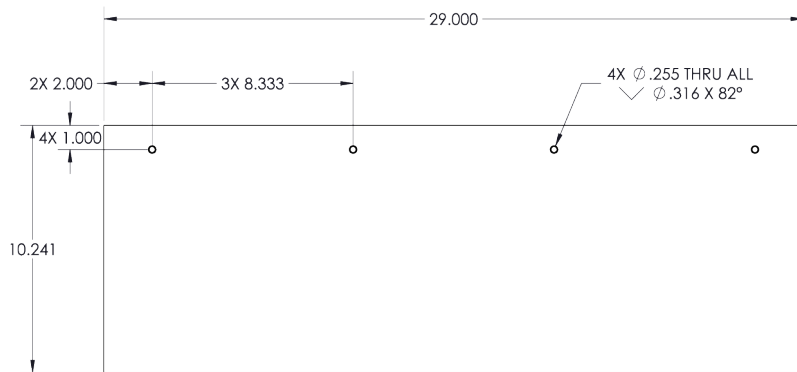
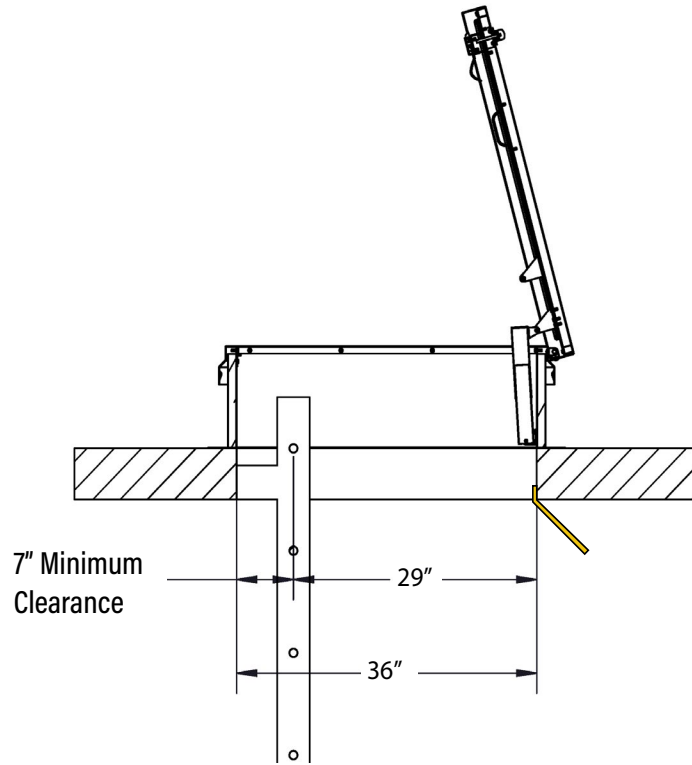
Material: 20 gauge cold rolled steel (CRS)

Finish: Yellow powder coat paint

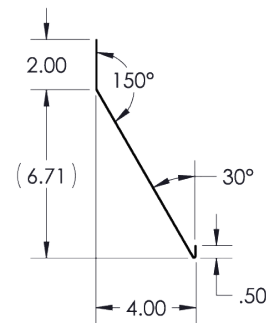
Hardware: #8 flathead Philips screws mounts into wood blocking or other material supporting the roof hatch.

### Notes:

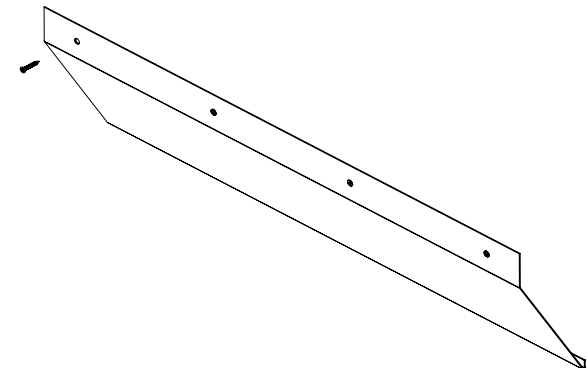
OSHA 1910.23(d)(13)(ii) requires deflector plates for head hazards when the clearance is not sufficient. All ladder access roof hatches with widths <37" require deflector plates, which includes industry standard roof hatch sizes like the 36"x30" model RHDG-1.



Front View of Deflector Plate Showing Mounting Holes



End View



MODEL #: RHD-KIT-DEFLECTOR



9702 Newton Ave S. Bloomington, MN 55431 | Many Locations Nationwide

800-554-6077 952-835-2218 sales@activarcpg.com www.activarcpg.com

© 2018 Activar Construction Products Group, Inc.

Distributor:		Project:
Contractor:		Approved By:
Date:	Quantity:	Architect:
Scale: N/A	Pages: 1 of 1	Drawing #:

THE INFORMATION CONTAINED IN THIS DRAWING IS THE SOLE PROPERTY OF ACTIVAR CONSTRUCTION PRODUCTS GROUP, INC. ANY REPRODUCTION IN PART OR AS A WHOLE WITHOUT THE WRITTEN PERMISSION OF ACTIVAR CONSTRUCTION PRODUCTS GROUP, INC. IS PROHIBITED.

12/4/2018 RE V A