

ADJUSTABLE GATE FOR SAFETY RAILING - RSHG-3048 INSTALLATION & MAINTENANCE GUIDE | 141-420

GENERAL:

The stand-alone, self-closing, self-latching gate is used to replace chains on existing safety railings to ensure compliance with OSHA CFR 29 1910.29 fall protection. The gate telescopes to accommodate 30" - 48" openings, and easily bolts onto existing upright posts.

TOOLS NEEDED:

(Provided by others)

- Power drill
- 1/4" Allen Wrench
- T30 Torx Bit (PN# TORX-T30-BIT)
- (2) 3/4" Wrench

INSTALLATION:

Note: It is preferable to install the safety rail with two people

1. You will first need to drill holes in the existing vertical posts. To do this, align the hinges and latch catch with the current railing system. Next mark where the hinges are and holes need to be drilled. Then proceed with drilling 7/32" (.218") holes for provided 1/4" screws.
2. Install the gate. Our standard gate opens left-handed, with hinges on the left side
 - a.) Disassemble telescoping gate into two pieces.
 - b.) Install both hinges of the hinged piece to the left hand corner post. (Fig. 1)
 - c.) Install the latch catch assembly into the opposite corner post with the provided 1/4" -20 x 3/4" Torx screws using the T-30 Torx bit and drill. (Fig. 2, left side)
 - d.) Screw the hook into the U bent gate piece using the 1/4"-20 x 3/4" Torx screws. (Fig. 2, right side)
 - e.) Install telescoping side of the gate with installed hook onto the hinged piece to fit exit opening. Make sure the hook pin properly engages the latch catch and tighten set screws. (Fig. 3)
 - f.) Open the gate 90 degrees and release to verify the gate will self close and self latch. If needed, use 5/32" Allen wrench (included) to adjust the hinge spring tension.

OPERATION:

Press the gravity latch catch up and pull open the gate. (Fig. 4) The gate automatically self-closes and self-latches with adjustable spring hinges. NOTE: The standard gate opens left handed. If you need a right handed opening gate a special latch kit is required. (PN# RSH-KIT-LATCHPINL)

MAINTENANCE:

Manually operate once a year to check functionality of moving parts such as latches and hinges. Periodically clean latches and strikes of old grease and dirt using a clean dry cloth. Reapply lubrication as needed. Inspection shall include checking frame alignment, check that all nuts, bolts, and clamps are tight, weight distribution, and proper installation causing damage or failure.

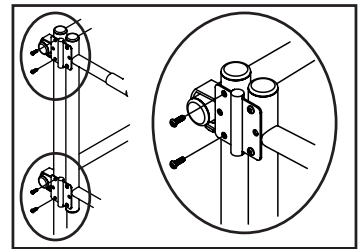
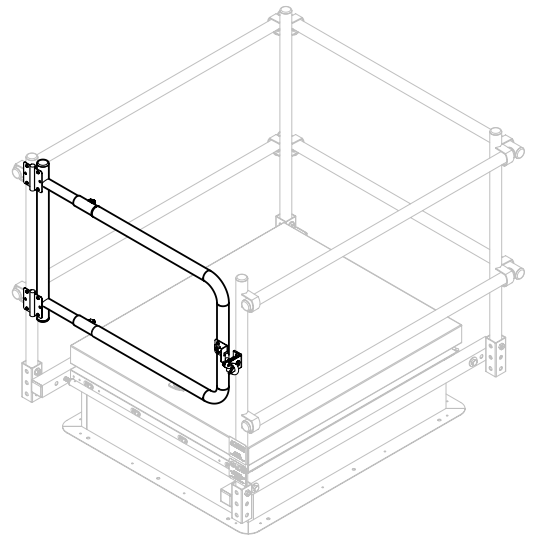


FIG. 1

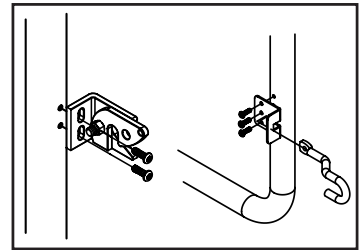


FIG. 2

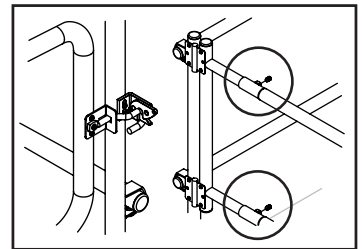


FIG. 3

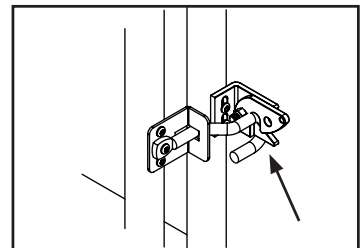


FIG. 4



JL INDUSTRIES



MAXAM
METAL PRODUCTS



DUR-RED
PRODUCTS

800-554-6077

sales@activarcpg.com

www.activarcpg.com

Installation &
Maintenance Guide

141-420

REV A 8-8-2024

9702 Newton Ave S. Bloomington, MN 55431 | Many Locations Across North America
CANADA ONLY: 604-433-4243 info@maxammetal.com maxammetal.com