

ROOF ACCESSORIES - FARHRENHEIT™ SERIES SMOKE VENT - RVF

Our UL 793 Listed double door domed smoke vents provide natural daylighting where smoke vents are installed. Smoke vents automatically open during a fire with a heat responsive device, releasing harmful smoke and fumes. Smoke vents are required as referenced in International Building Code section 910 for smoke and heat removal in storage and warehouse occupancies.

SPECIFICATIONS:

Material:

Curb: 14 gauge galvaneal steel

Cover: Polycarbonate domes with aluminum extrusion frame

Finish: Silver textured powder coat paint

Dome: Clear over white polycarbonate

Gasket: Bulb neoprene door seal

Insulation: 1" polyisocyanurate (R-6) on curb

Hinge: Heavy-duty aluminum hinge with bolt pin

Hold-Open Arm: Clear zinc-plated steel hold-open arm

Latch: Rotary latch mechanism designed to hold covers closed against 90psf wind uplift. Opens manually with internal and external manual pull handles and automatically with fusible link

Fusible Link: 165° UL 33 listed fusible link

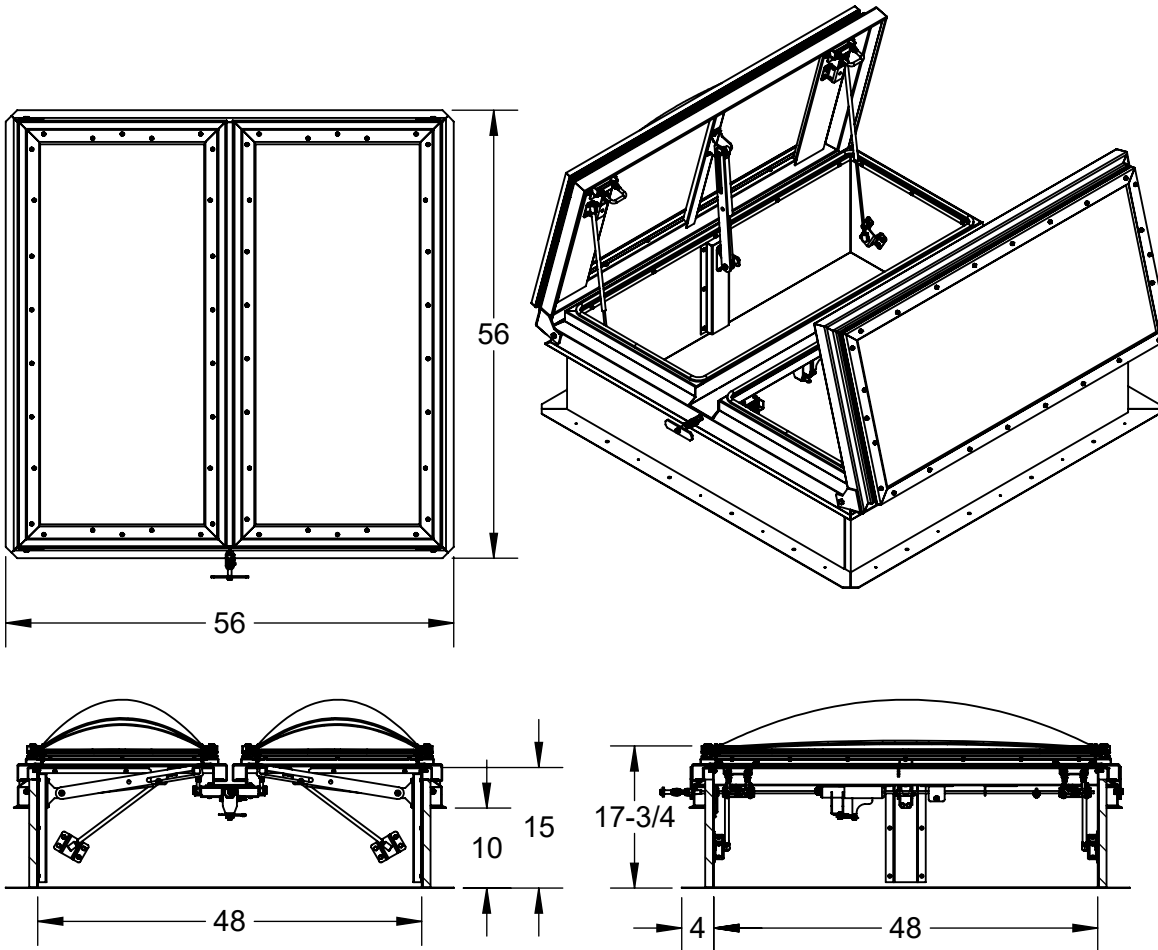
Spring: Gas springs with dampers automatically open against 10PSF snow load

Size: 48" x 48"

ROOF OPENING = ORDER SIZE

CERTIFICATIONS:

UL 793 listed and labeled



MODEL #: RVFVGA-4848ST



DUR-RED PRODUCTS

9702 Newcom Avenue S, Bloomington, MN 55431

800-554-6077

sales@activarcp.com

www.activarcp.com

Distributor:		Project:	
Contractor:		Approved By:	
Date:		Architect:	
Scale: 1:24	Pages: 1 OF 1	Drawing #:	RVFVGA-4848ST-SUBMITTAL