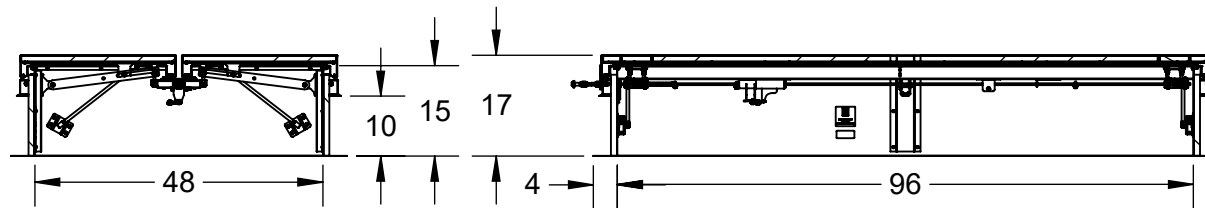
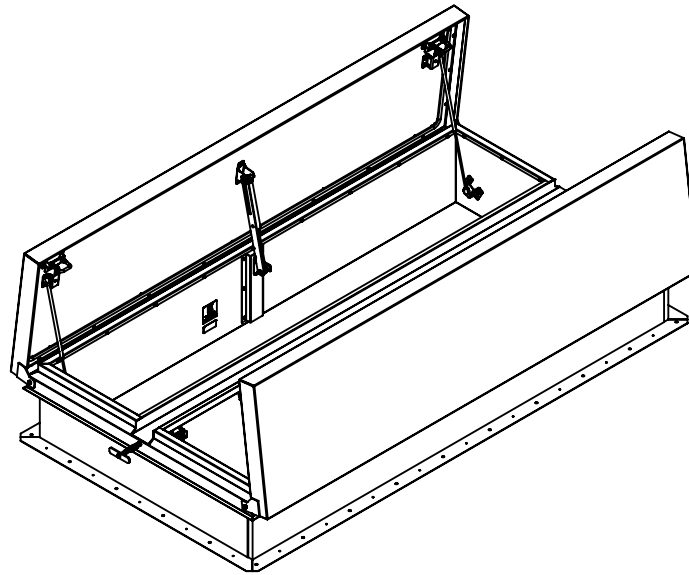
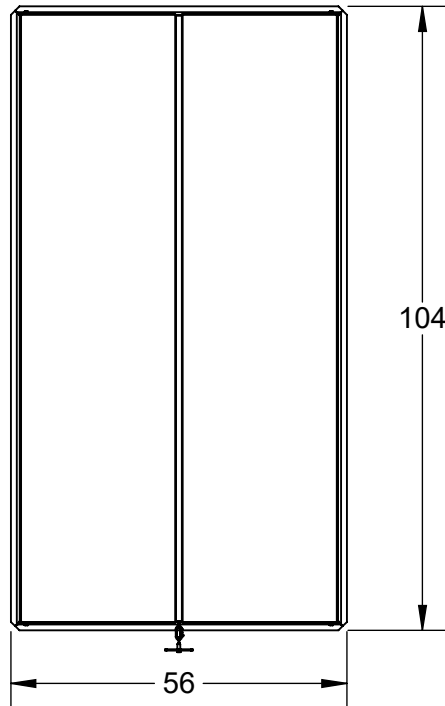


ROOF ACCESSORIES - FARHRENHEIT™ SERIES SMOKE VENT - RVF

Our UL 793 listed double door smoke vents automatically open during a fire with a heat responsive device, releasing harmful smoke and fumes. Smoke vents are required as referenced in International Building Code section 410 for stages, platforms and technical production areas and section 910 for smoke and heat removal in storage and warehouse occupancies.



SPECIFICATIONS:

Material:

Curb: 14 gauge galvalume steel

Cover: 11 gauge aluminum with 18 gauge aluminum cover liner

Finish: Silver textured powder coat paint

Gasket: Bulb neoprene door seal

Insulation: 1" polyisocyanurate (R-6) on curb and in cover

Hinge: Heavy-duty aluminum hinge with bolt pin

Hold-Open Arm: Clear zinc-plated steel hold-open arm

Latch: Rotary latch mechanism designed to hold covers closed against 90psf wind uplift. Opens manually with internal and external manual pull handles and automatically with fusible link

Fusible Link: 165° UL 33 listed fusible link

Spring: Gas springs with dampers automatically open against 10PSF snow load

Size: 48" x 96"

ROOF OPENING = ORDER SIZE

CERTIFICATIONS:

UL 793 listed and labeled

MODEL #: RVFGA-4896ST



DUR-RED PRODUCTS

9702 Newton Avenue S, Bloomington, MN 55431

800-554-6077

sales@activarcpg.com

www.activarcpg.com

Distributor:		Project:	
Contractor:		Approved By:	
Date:		Architect:	
Scale: 1:32	Pages: 1 OF 1	Drawing #:	RVFGA-4896ST-SUBMITTAL