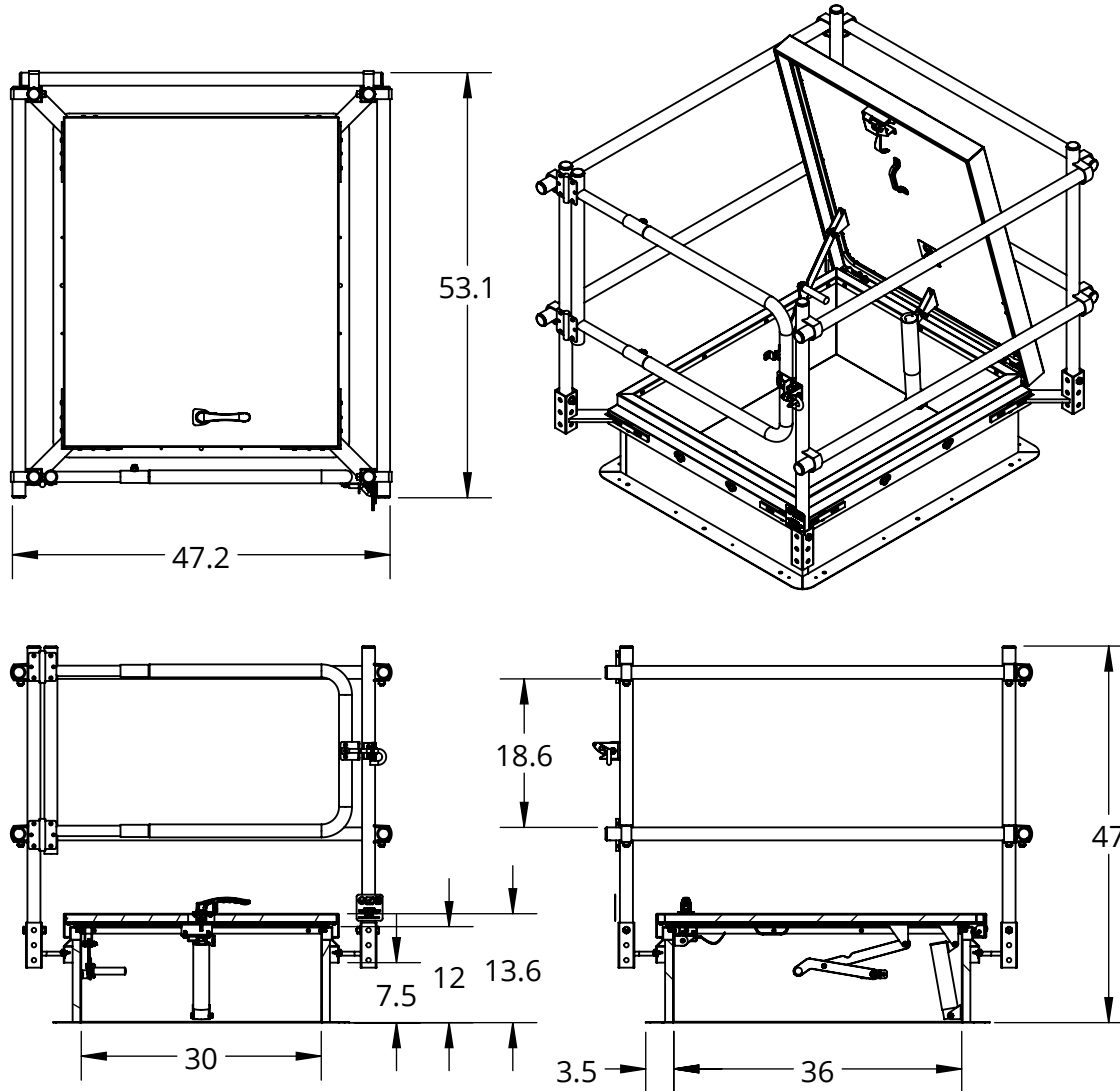


ROOF ACCESSORIES - DIAMOND SERIES SAF-T-HATCHTM ROOF HATCH WITH SAFETY RAILING - RHDG-STH

The RHDG Diamond Series with an integrated safety railing provides a complete solution in a single unit. JL roof hatches are weather-resistant, insulated and easy to operate. Designed with corner brackets bolted to the counterflashing for easy assembly and installation in the field. Diamond Series Saf-T-Hatch is a complete roof hatch with bolt-on safety railing. It is an all-in-one solution to ensure compatibility between the roof hatch and safety railing, that complies with OSHA fall protection requirements.



SPECIFICATIONS:

RHDG - STEEL DIAMOND SERIES ROOF HATCH

Material:

Curb: 14 gauge galvalume steel. Single wall curb and counterflashing with Diamond Grip® secure roof membrane without tools.

Cover: 14 gauge with 22 gauge liner galvalume steel. Formed and welded with liner, tested to support a live load of 40psf.

Finish: White textured powder coat

Hinge: Heavy duty clear zinc-plated steel pintle hinge

Latch: Clear zinc-plated steel slam latch with inside and outside handles and padlock hasps. Tested to 50psf wind uplift.

Gasket: Continuous, weatherproof EPDM sponge rubber adhesive-backed seal

Spring: Counterbalanced compression springs contained in clear zinc-plated steel cylinders

Hold Open Arm: Clear zinc-plated automatic locking hold open arm with red vinyl grip for one handed door operation

Insulation: 1" polyisocyanurate in curb and cover with thermal resistance R-6

RSHWB BOLT-ON RAILING

Material: 1-5/8" x .065" (16 gauge) galvanized steel tubing

Bracket Material: 2" x 2" x 120" square galvanized steel tubing 1/4" and 1/2" plate CRS

Finish: Yellow powder coat

Hinges: Steel, adjustable spring hinges

Gate: Self-closing, self-latching with telescoping size adjustment

Latch: Steel, black powder coat pin hooks around gravity latch catch

Hardware: Black plastic tubing caps and zinc plated steel hardware

Certifications: Railing meets OSHA 1910.29 requirement for safe egress and ingress through rooftop hatch openings

MODEL #: RHDG-1WT-STH



JL INDUSTRIES

9702 Newton Avenue S, Bloomington, MN 55431

800-554-6077

sales@activarcpg.com

www.activarcpg.com

Distributor:

Contractor:

Date:

Scale: 1:24

Page: 1 OF 1

Project:

Approved By:

Architect:

Drawing #:

RHDG-1WT-STH-SUBMITTAL