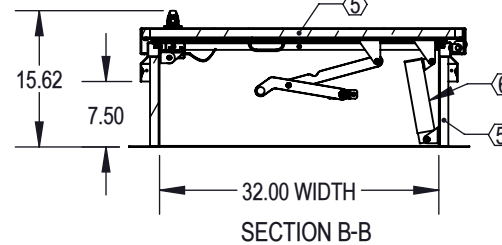
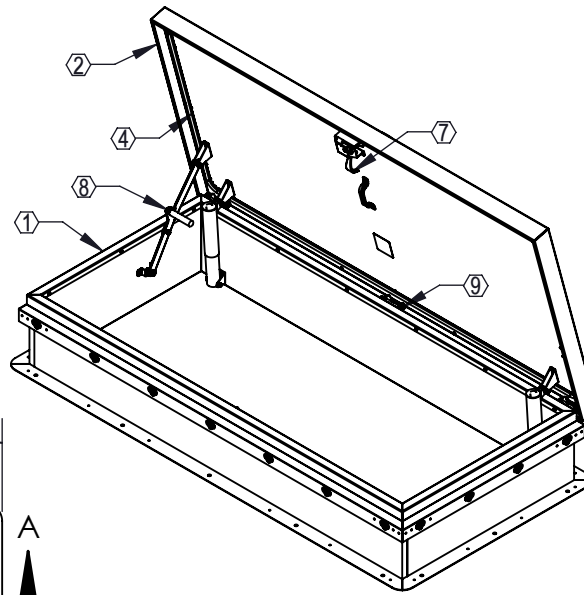
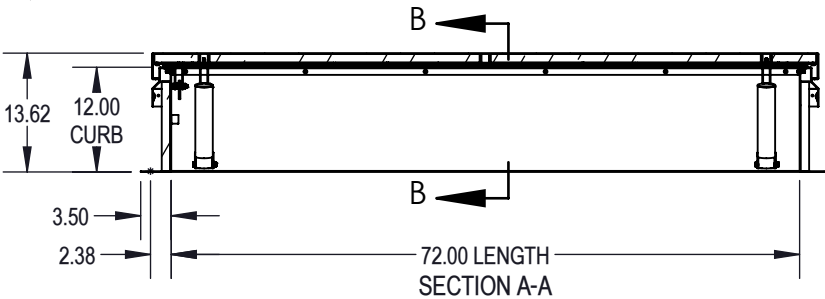
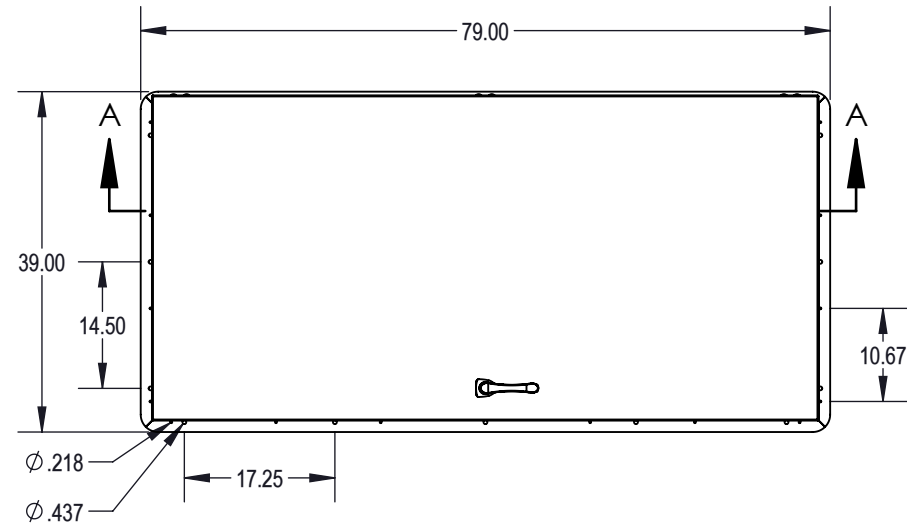


**ROOF HATCH - Diamond Series™** - ROOF HATCH, DIAMOND SERIES 32 X 72 I ALUM, MILL FINISH



**SPECIFICATIONS:**

1. Curb: 11 gauge mill finish aluminum single wall curb and counterflashing with Diamond Grip.
2. Cover: 11 gauge aluminum formed, welded cover with 18 gauge liner, tested to support a live load of 40psf.
3. Finish: Mill Finish.
4. Gasket: Continuous, weatherproof EPDM sponge rubber adhesive-backed seal.
5. Insulation: 1" polyisocyanurate in curb and cover with thermal resistance R-6.
6. Spring: Counterbalanced compression springs contained in clear zinc-plated steel cylinders.
7. Latch: Clear zinc-plated steel slam latch with inside and outside handles and padlock hasps.
8. Hold Open Arm: Clear zinc-plated automatic locking hold open arm with red vinyl grip for one handed door operation.
9. Hinge: Heavy duty clear zinc-plated steel pintle hinge.

**Notes:**

For pitched roofs up to 7:12, mount hinge side parallel to slope.

Door opens 75°

Clear Opening: 21" X 66"

Weight: 115lbs

Diamond Series™ is a trademark of Activar Construction Products Group Inc.

**MODEL #: RHDA-6**



800-554-6077  
 sales@activarcpg.com  
 www.activarcpg.com

9702 Newton Ave S. Bloomington, MN 55431 | Many Locations Nationwide

Distributor:		Project:
Contractor:		Approved By:
Date:	Quantity:	Architect:
Scale: 1:22	Pages: 1 OF 1	Drawing #: RHDA-6-SUBMITTAL