

QTY	MODEL	PREV MODEL	LENGTH	HOSE DIA.	TYPE	VALVE SIZE	RACK WIDTH	CLASS OF SERVICE	STORED HOSE HEIGHT	RACK DEPTH	HOSE TOP TO VALVE CENTER	OVERALL WIDTH
Basic Unit for 1-1/2" Hose and Valve with Single Jacket Lined Hose, Industrial Fog Nozzle, Red Enamel Pin Rack and Cast Brass Coupling, Angle Valve, Escutcheon and Nipple												
	HRA050B	3005	50'	1 1/2 "	Poly-Hose	1 1/2 "	17 7/8	II	23"	4 1/8	3 7/8	19 3/4
	HRA075B	3007	75'	1 1/2 "		1 1/2 "	17 7/8	II	23"	4 1/8	3 7/8	19 3/4
	HRA100B	3010	100'	1 1/2 "		1 1/2 "	17 7/8	II	25"	4 1/8	3 7/8	19 3/4
Basic Unit Above, with Red Enamel Rack, Chrome-plated Brass Fitting and Chrome-plated Rough Brass Valve												
	HRA050CH	3105	50'	1 1/2 "	Poly-lined Hose	1 1/2 "	17 7/8	II	23"	4 1/8	3 7/8	19 3/4
	HRA075CH	3107	75'	1 1/2 "		1 1/2 "	17 7/8	II	23"	4 1/8	3 7/8	19 3/4
	HRA100CH	3110	100'	1 1/2 "		1 1/2 "	17 7/8	II	25"	4 1/8	3 7/8	19 3/4
Basic Unit for 1-1/2" Hose and 2-1/2" Valve with Single Jacket Lined Hose, Industrial Fog Nozzle, Red Enamel Pin Rack and Cast Brass Coupling, Angle Valve, Reducer, Escutcheon and Nipple												
	HRA050B-2.5	3205	50'	1 1/2 "	Poly-lined Hose	2 1/2 "	17 7/8	II & III	23"	4 1/8	4 1/8	20 1/16
	HRA075B-2.5	3207	75'	1 1/2 "		2 1/2 "	17 7/8	II & III	23"	4 1/8	4 1/8	20 1/16
	HRA100B-2.5	3210	100'	1 1/2 "		2 1/2 "	17 7/8	II & III	25"	4 1/8	4 1/8	20 1/16
	HRA125B-2.5	3212	125'	1 1/2 "		2 1/2 "	17 7/8	II & III	28"	4 1/8	4 1/8	20 1/16
See Crowline Series for Cabinets to Fit Fire Hose Rack Assemblies.												


Choose a Complete System for Your Application. JL Fire Hoses feature one-man operation for immediate means of fire control.

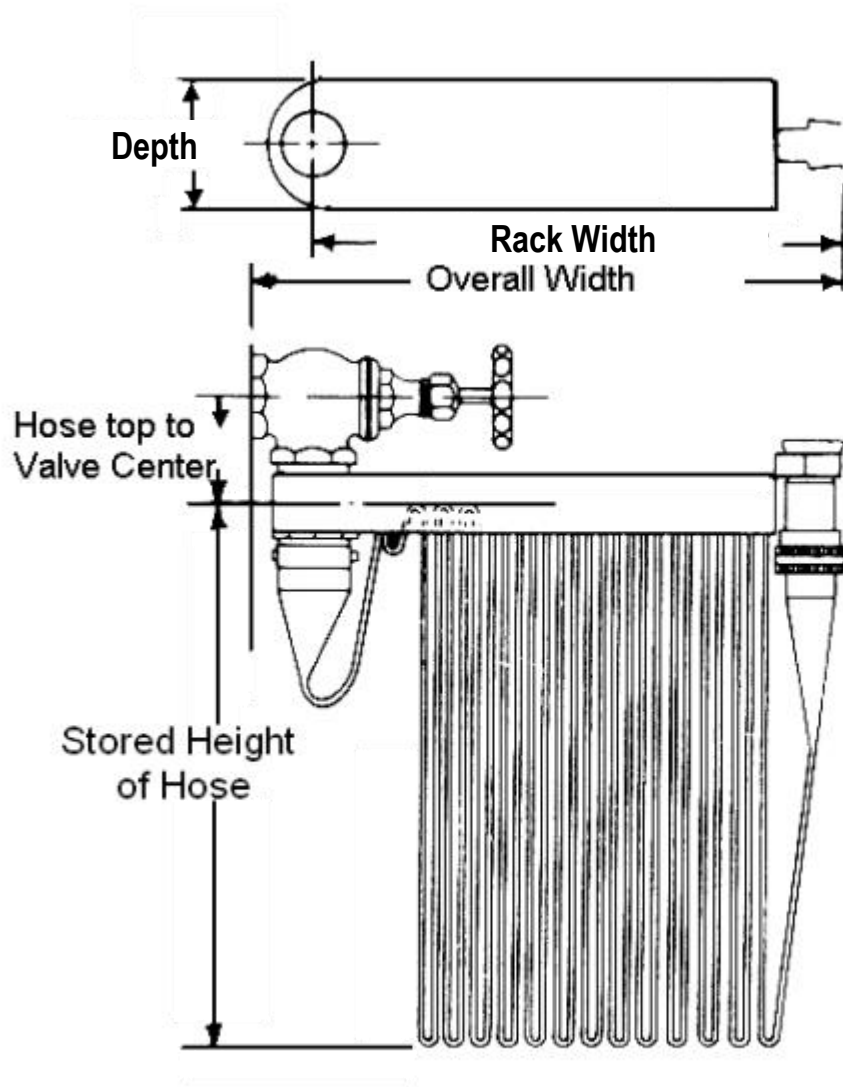
Ratings: 100 GPM at 65 PSI at the nozzle. Class II Service under NFPA/FEMA Class of Service. Hose is FM-approved - 500 lb test. Industrial Fog Nozzle, Angle Valve and Pin Rack are UL-rated.

UL Rating Optional: Hose will be marked 300 lb Test per UL 19

Hose: Single Jacket Polyurethane-lined, 100% Synthetic Jacket. Lightweight hose is totally immune to mildew and rot.



 <p>ACTIVAR INC. CONSTRUCTION PRODUCTS GROUP</p> <p>ROYAL SERIES IS A TRADEMARK OF ACTIVAR PLEASE DOWNLOAD MOST CURRENT SUBMITTAL FROM WEBSITE BEFORE ORDERING</p>	Distributor:	Quantity:
	Contractor:	Approved By:
	Model #:	Architect:
	Project:	Date:
<p>HEADQUARTERS: 9702 NEWTON AV S. BLOOMINGTON, MN 55435-5416 PH: 800-554-6077 FAX: 952-835-2218 EMAIL: SALES@ACTIVARCPG.COM WWW.ACTIVARCPG.COM</p> <p>MANUFACTURING: BLOOMINGTON MN & COMMERCE, CA WAREHOUSES: DALLAS TX, LANCASTER PA, ATLANTA GA, CHICAGO, IL, SEATTLE WA, OMAHA NE, FT MEYERS FL, FARGO ND 2/25/2020</p>		



See the Crowline Series for Cabinets to Fit These Hose Racks

