

FIRE EXTINGUISHER BRACKET - C MODEL EXTINGUISHERS - MB812C

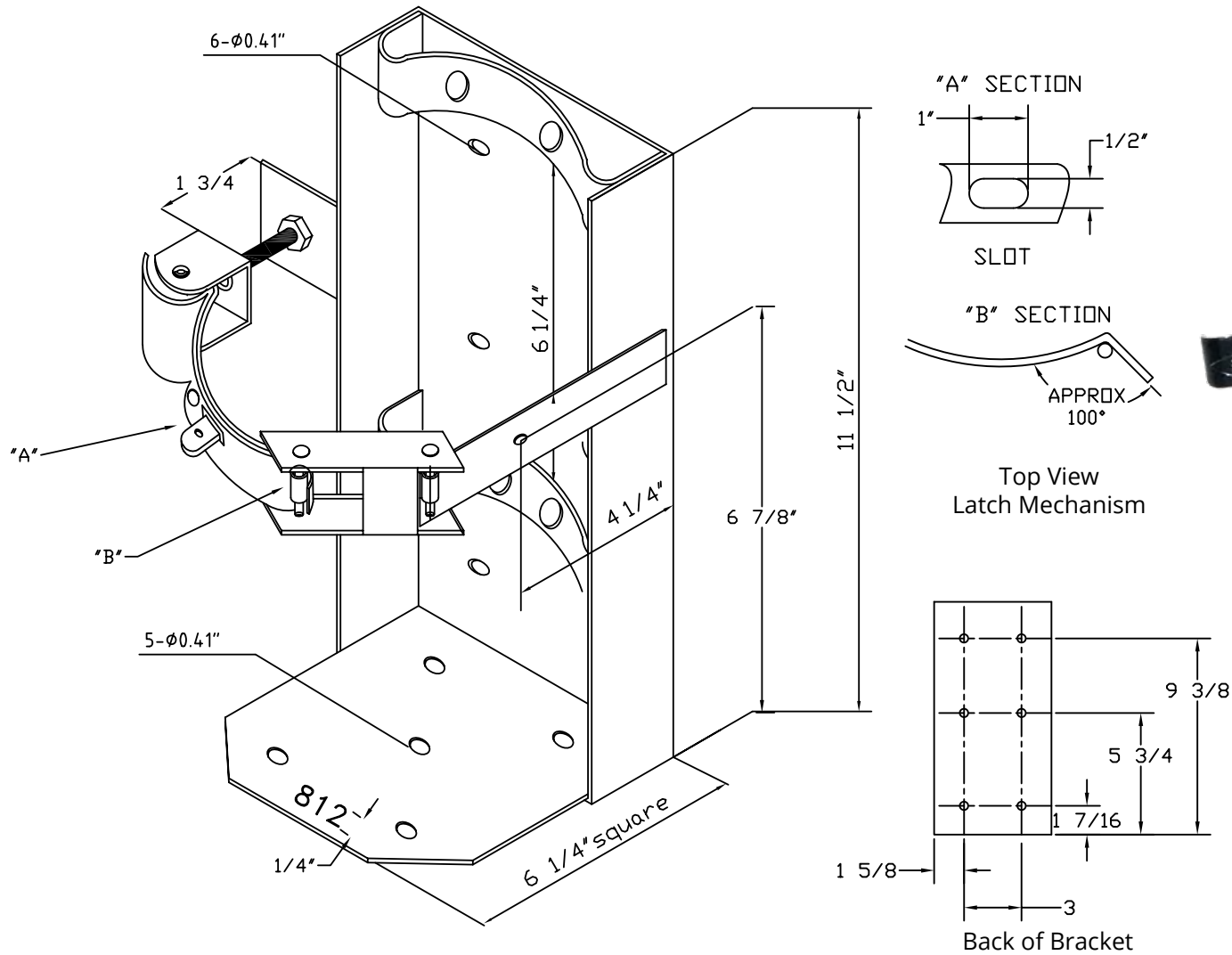
JL Industries optional mounting brackets are a strong and durable choice for mounting your portable fire extinguishers on walls or vehicles.

SPECIFICATIONS:

Material: Steel

Finish: Black powder paint. Meets ASTM B-117.

Note: Other reference #700230/812



| QTY | MODEL | FITS FIRE EXTINGUISHER |
|-----|--------|------------------------|
| | MB812C | FE10C-11310 |

It is the responsibility of the customer to communicate specifications and product performance requirements that are needed for their application. This document is intended to convey potential product configurations and offerings. It is not to be used to imply or represent a specification or rating, of finished products shipped. Detailed, specific submittals can be created upon request. It is the responsibility of the customer to specify product accordingly to comply with local laws, codes, and ordinances.



JL INDUSTRIES

9702 Newton Avenue S, Bloomington, MN 55431

800-554-6077

sales@activarcpg.com

www.activarcpg.com

Distributor:

Contractor:

Date:

Scale: N/A

Project:

Approved By:

Architect:

Item#:

Page 1 of 1