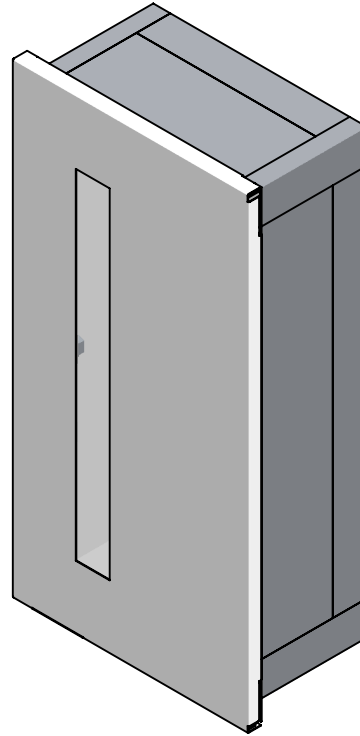
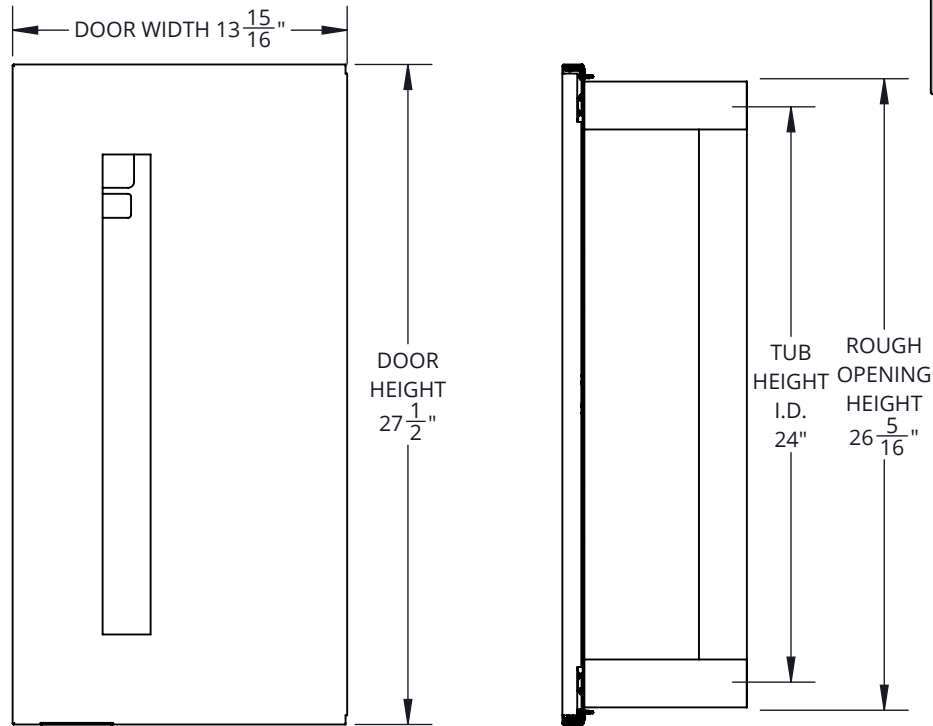
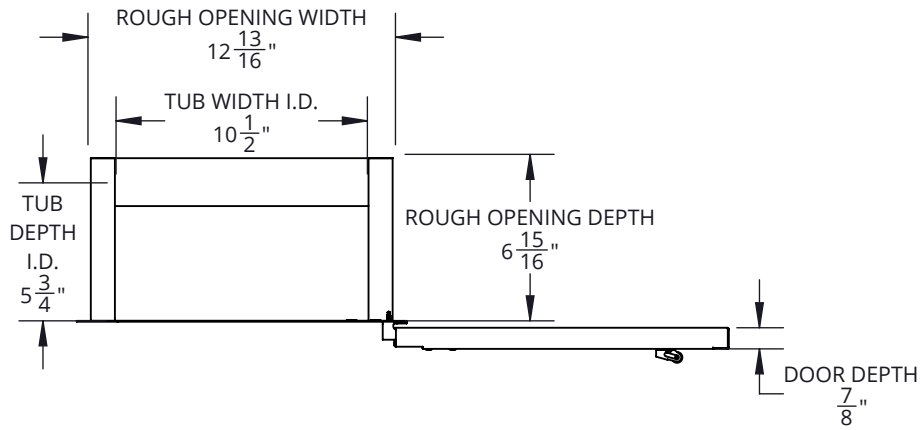


Architectural Series, Fire Protection Cabinet, Embassy - C5614V17FX2
FE FX2 CABINET, EMBASSY, TRMLSS, VERT DUO, CLR TEMP, ALL CRS, ALL WHT, 56 TUB



SPECIFICATIONS:

- Tub Material:** 22 gauge CRS
- Door Material & Style:** 20 gauge CRS, vertical duo
- Glazing:** 1/8" clear tempered glass (3-1/8" x 22-3/4")
- Finish:** Powder coat white door and white tub
- Hinge:** Continuous hinge opens door 180 degrees, 20 gauge CRS
- Hardware:** Zinc plated pull handle, roller catch, glass clips & screws
- Rough Opening:** 12-13/16" x 26-5/16" x 6-15/16"
- Fire Rating:** UL classified and labeled up to 2 hours in accordance with UL 1479 (ASTM-E814) and CAN/USC-S115.
- Insulation:** Wool insulation
- ADA Compliant:** Cabinet meets 4" maximum protrusion, locate handle maximum 48" above floor
- Compatible Extinguisher:** Cosmic 2.5lb. - 10lb., Galaxy 2.5lb - 10lb., Mercury 2.5lb. - 5lb., Sentinel 5lb.

MODEL # BREAKDOWN:

- C — Product Line: Fire protection, cabinet
- 56 — Tub Size: 10-1/2" x 24" x 5-3/4"
- 1 — Trim and Door Material: CRS, powder coat finish
- 4 — Trim Style: Trimless recessed flange
- V — Door Style: Vertical duo, pull handle, roller catch
- 17 — Door Glazing: 1/8" clear tempered glass
- FX2 — Fire Rated
- Color: All white

REPLACEMENT PARTS:

- Tub: TUB-56FX2
- Door: D-561VFX2
- Glazing: G10V17
- Hardware Pack: HPFPUS

MODEL #: C5614V17FX2



800-554-6077
 sales@activarcpg.com
 www.activarcpg.com

9702 Newton Ave S. Bloomington, MN 55431 | Many Locations Nationwide

Distributor:		Project:
Contractor:		Approved By:
Date:	Quantity:	Architect:
Scale: 1:7	Pages: 1 OF 1	Drawing #: C5614V17FX2-SUBMITTAL