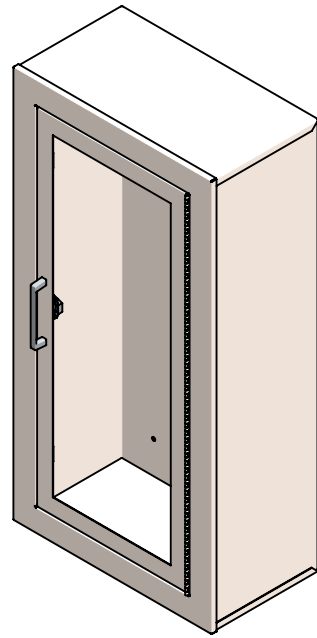
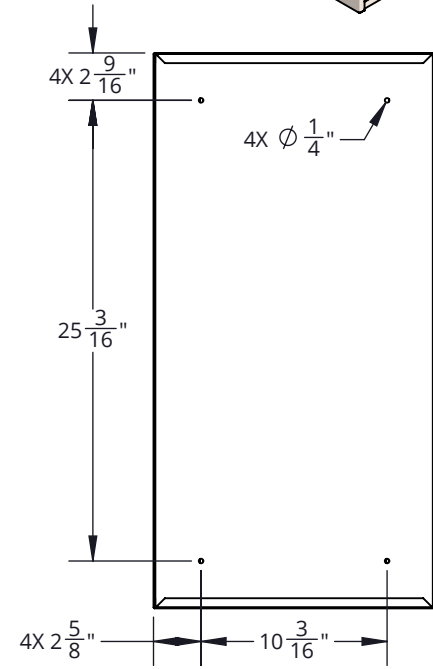
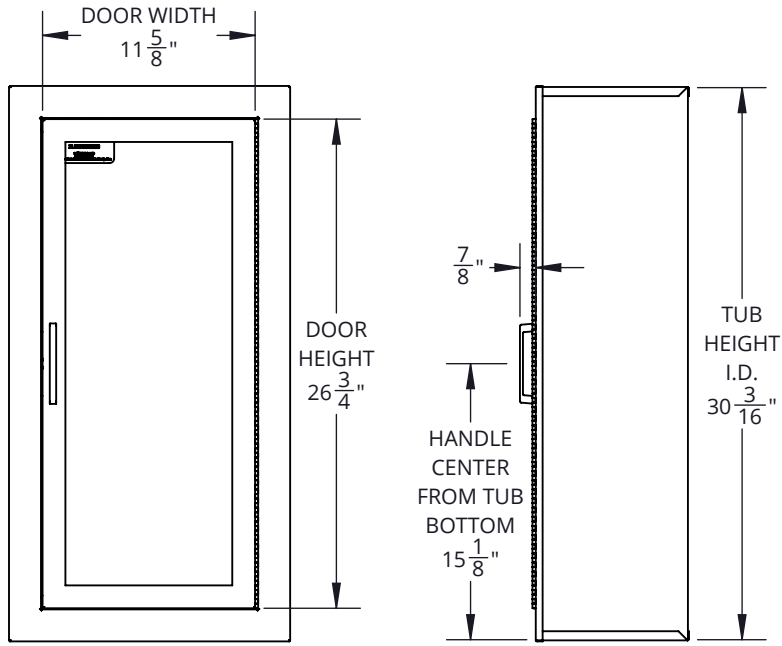
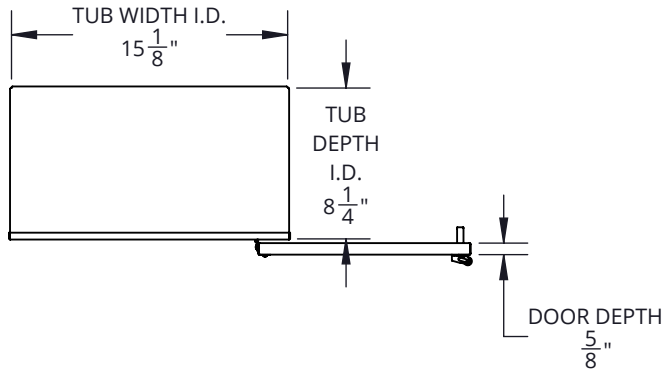


Architectural Series, Fire Protection Cabinet, Cosmopolitan - C2033F10
FE CABINET, COSMOPOLITAN, SURF MT, FULL VIEW, CLR ACR, ALL SS#4, 20 TUB



SPECIFICATIONS:

- Tub Material:** 20 gauge stainless steel
- Trim Material & Style:** 20 gauge stainless steel, surface mount square edge
- Door Material & Style:** 20 gauge stainless steel, full view
- Glazing:** 0.090" clear acrylic (10" x 25-3/4")
- Finish:** Satin door, trim, and tub
- Hinge:** Continuous hinge opens door 180 degrees, 20 gauge stainless steel
- Hardware:** Zinc plated pull handle, roller catch, glass clips & screws
- Fire Rating:** Not rated
- ADA Compliant:** Not compliant
- Compatible Extinguisher:** Any Cosmic, Any Galaxy, Any Mercury, Any Saturn, Grenadier P, Sentinel 5lb.-10lb., Nebula 270

MODEL # BREAKDOWN:

- C — Product Line: Fire protection, cabinet
- Tub Material: SS
- 20 — Tub Size: 15-3/16" x 30-3/16" x 8-1/4"
- 3 — Tub, Trim, and Door Material: SS, satin finish
- 3 — Trim Style: Surface mount square edge
- F — Door Style: Full view, pull handle, roller catch
- 10 — Door Glazing: 0.090" clear acrylic
- Color: All unpainted

REPLACEMENT PARTS:

- Tub: TUB-2033C
- Door: D-203F
- Glazing: G20F10
- Hardware Pack: HPFPUS

MODEL #: C2033F10



800-554-6077
 sales@activarcpg.com
 www.activarcpg.com

9702 Newton Ave S. Bloomington, MN 55431 | Many Locations Nationwide

Distributor:		Project:
Contractor:		Approved By:
Date:	Quantity:	Architect:
Scale: 1:9.5	Pages: 1 OF 1	Drawing #: C2033F10-SUBMITTAL