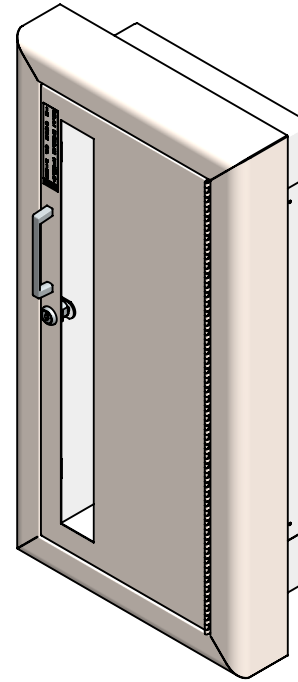
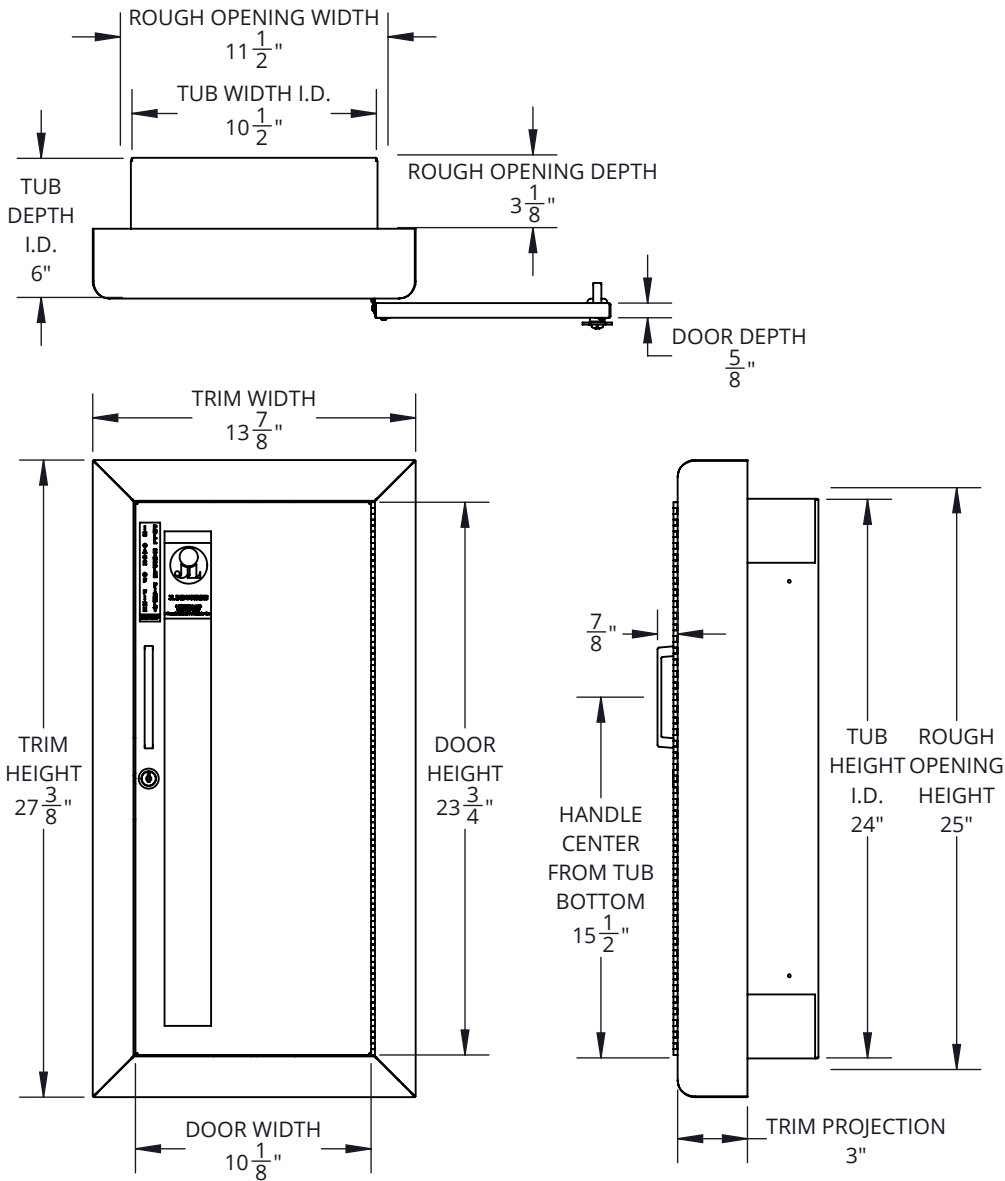


Architectural Series, Fire Protection Cabinet, Cosmopolitan - C1037W17
FE CABINET, COSMOPOLITAN, 3" RT, VERT DUO SAFTLOK, CLR TEMP, CRS TUB, SS#4 DR/TRM, 10 TUB



SPECIFICATIONS:

- Tub Material:** 24 gauge galvanized steel
- Trim Material & Style:** 18 gauge stainless steel, semi-recessed 3" rolled edge
- Door Material & Style:** 20 gauge stainless steel, vertical duo
- Glazing:** $\frac{1}{8}"$ clear tempered glass ($8\frac{1}{2}"$ x $22\frac{3}{4}"$)
- Finish:** Satin door and trim, painted white tub
- Hinge:** Continuous hinge opens door 180 degrees, 20 gauge stainless steel
- Hardware:** Zinc plated pull handle, Saf-T-Lok™, glass clips & screws
- Rough Opening:** $11\frac{1}{2}"$ x $25"$ x $3\frac{1}{8}"$
- Fire Rating:** Not rated
- ADA Compliant:** Cabinet meets 4" maximum protrusion, locate handle maximum 48" above floor
- Compatible Extinguisher:** Cosmic 2.5lb. - 10lb., Galaxy 2.5lb - 10lb., Mercury 2.5lb. - 5lb., Sentinel 5lb.

MODEL # BREAKDOWN:

- C — Product Line: Fire protection, cabinet
- 10 — Tub Size: $10\frac{1}{2}"$ x $24"$ x 6"
- 3 — Trim and Door Material: SS, satin finish
- 7 — Trim Style: Semi-recessed 3" rolled edge
- W — Door Style: Vertical duo, pull handle, Saf-T-Lok™
- 17 — Door Glazing: $\frac{1}{8}"$ clear tempered glass

REPLACEMENT PARTS:

- Tub: TUB-10-PP
- Trim: T-1037
- Door: D-103W
- Glazing: G10F17
- Hardware Pack: HPFPUS, SL, LC

MODEL #: C1037W17



800-554-6077
 sales@activarcpg.com
 www.activarcpg.com

9702 Newton Ave S. Bloomington, MN 55431 | Many Locations Nationwide

Distributor:		Project:
Contractor:		Approved By:
Date:	Quantity:	Architect:
Scale: 1:8.25	Pages: 1 OF 1	Drawing #: C1037W17-SUBMITTAL