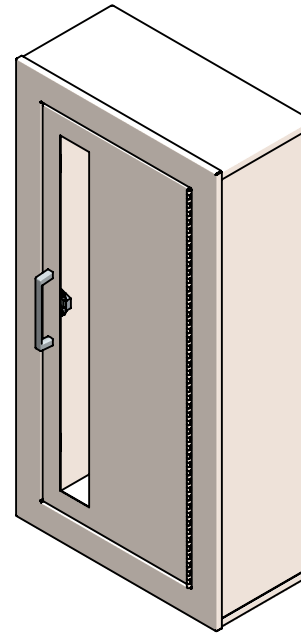
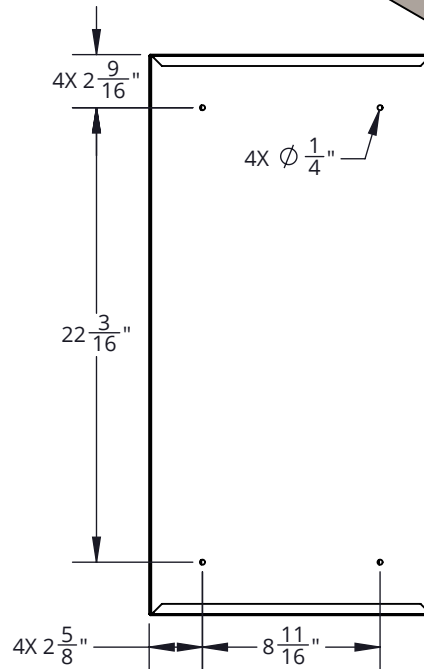
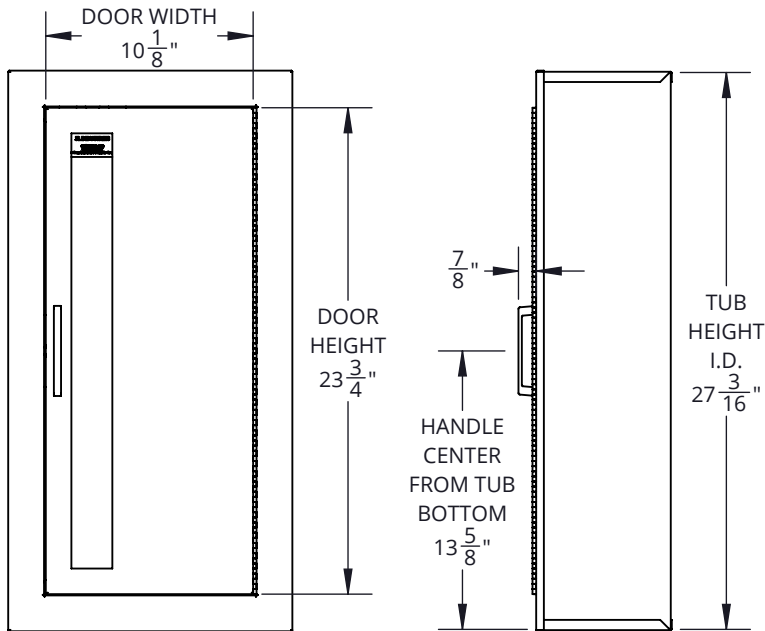
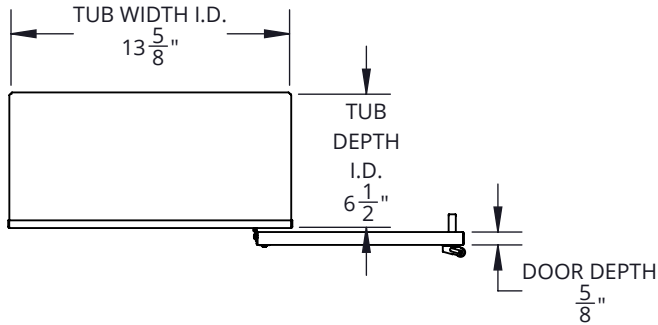


Architectural Series, Fire Protection Cabinet, Cosmopolitan - C1033V10
FE CABINET, COSMOPOLITAN, SURF MT, VERT DUO, CLR ACR, ALL SS#4, 10 TUB



SPECIFICATIONS:

Tube Material: 20 gauge stainless steel

Trim Material & Style: 20 gauge stainless steel, surface mount square edge

Door Material & Style: 20 gauge stainless steel, vertical duo

Glazing: 0.090" clear acrylic (8-1/2" x 22-3/4")

Finish: Satin door, trim, and tub

Hinge: Continuous hinge opens door 180 degrees, 20 gauge stainless steel

Hardware: Zinc plated pull handle, roller catch, glass clips & screws

Fire Rating: Not rated

ADA Compliant: Not compliant

Compatible Extinguisher: Cosmic 2.5lb. - 10lb., Galaxy 2.5lb - 10lb., Mercury 2.5lb. - 5lb., Sentinel 5lb.

MODEL # BREAKDOWN:

C — Product Line: Fire protection, cabinet

— Tub Material: SS

10 — Tub Size: 13-11/16" x 27-3/16" x 6-1/2"

3 — Tub, Trim, and Door Material: SS, satin finish

3 — Trim Style: Surface mount square edge

V — Door Style: Vertical duo, pull handle, roller catch

10 — Door Glazing: 0.090" clear acrylic

— Color: All unpainted

REPLACEMENT PARTS:

Tub: TUB-1033C

Door: D-103V

Glazing: G10F10

Hardware Pack: HPFPUS

MODEL #: C1033V10



9702 Newton Ave S. Bloomington, MN 55431 | Many Locations Nationwide

800-554-6077
 sales@activarcpg.com
 www.activarcpg.com

Distributor:		Project:
Contractor:		Approved By:
Date:	Quantity:	Architect:
Scale: 1:8.375	Pages: 1 OF 1	Drawing #: C1033V10-SUBMITTAL