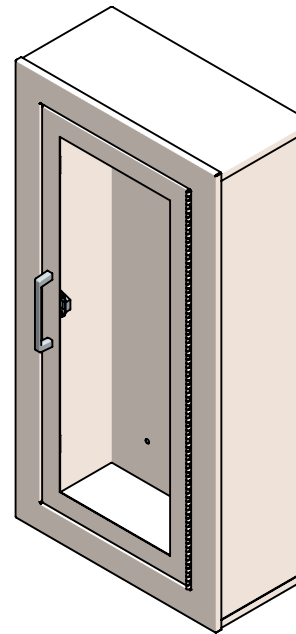
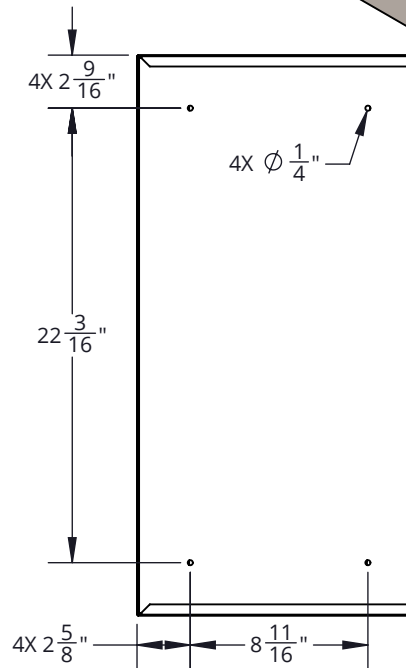
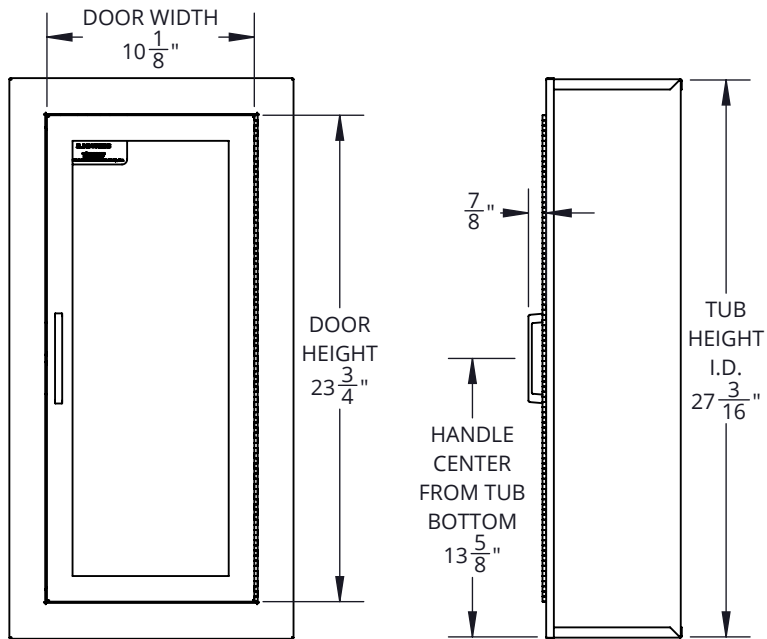
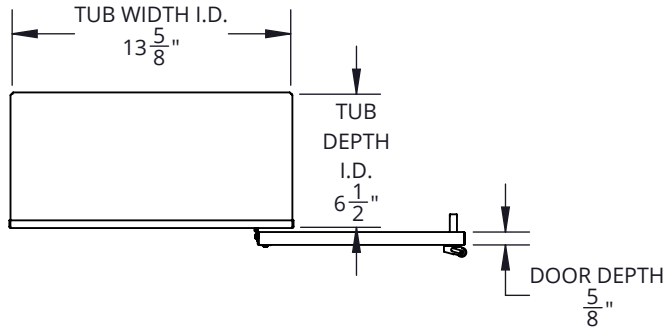


**Architectural Series, Fire Protection Cabinet, Cosmopolitan - C1033F17**  
**FE CABINET, COSMOPOLITAN, SURF MT, FULL VIEW, CLR TEMP, ALL SS#4, 10 TUB**



**SPECIFICATIONS:**

**Tube Material:** 20 gauge stainless steel

**Trim Material & Style:** 20 gauge stainless steel, surface mount square edge

**Door Material & Style:** 20 gauge stainless steel, full view

**Glazing:** 1/8" clear tempered glass (8-1/2" x 22-3/4")

**Finish:** Satin door, trim, and tub

**Hinge:** Continuous hinge opens door 180 degrees, 20 gauge stainless steel

**Hardware:** Zinc plated pull handle, roller catch, glass clips & screws

**Fire Rating:** Not rated

**ADA Compliant:** Not compliant

**Compatible Extinguisher:** Cosmic 2.5lb. - 10lb., Galaxy 2.5lb - 10lb., Mercury 2.5lb. - 5lb., Sentinel 5lb.

**MODEL # BREAKDOWN:**

C — Product Line: Fire protection, cabinet

— Tub Material: SS

10 — Tub Size: 13-11/16" x 27-3/16" x 6-1/2"

3 — Tub, Trim, and Door Material: SS, satin finish

3 — Trim Style: Surface mount square edge

F — Door Style: Full view, pull handle, roller catch

17 — Door Glazing: 1/8" clear tempered glass

— Color: All unpainted

**REPLACEMENT PARTS:**

Tub: TUB-1033C

Door: D-103F

Glazing: G10F17

Hardware Pack: HPFPUS

**MODEL #: C1033F17**



9702 Newton Ave S. Bloomington, MN 55431 | Many Locations Nationwide

800-554-6077  
 sales@activarcpg.com  
 www.activarcpg.com

Distributor:		Project:
Contractor:		Approved By:
Date:	Quantity:	Architect:
Scale: 1:8.375	Pages: 1 OF 1	Drawing #: C1033F17-SUBMITTAL