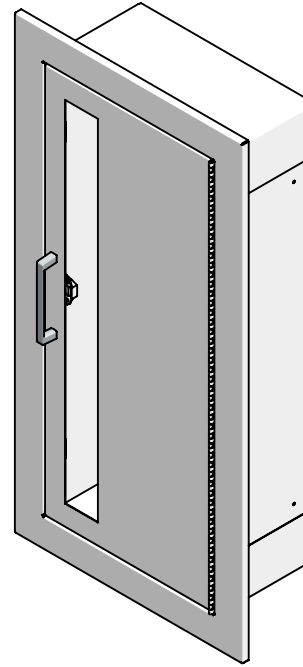
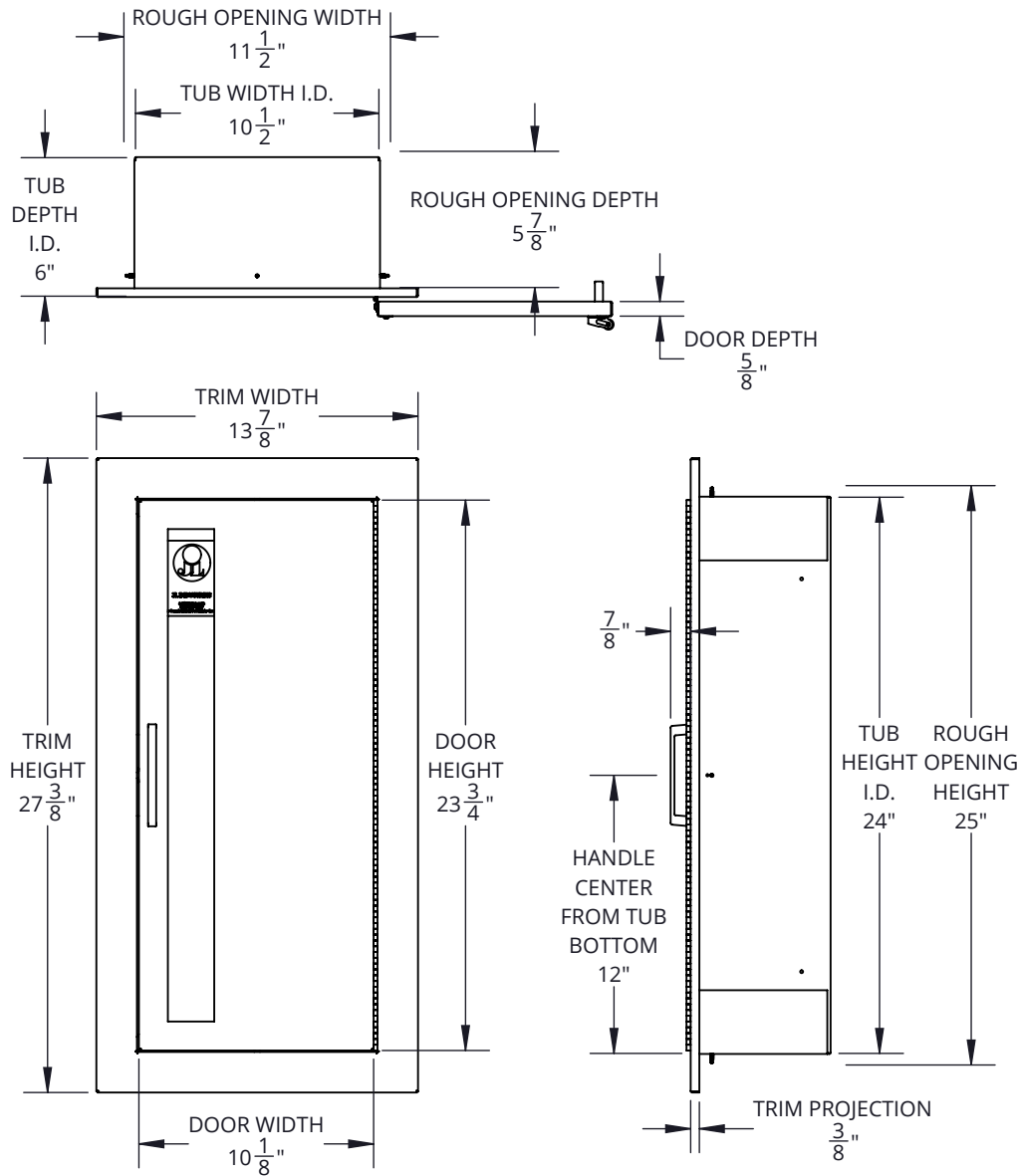


# Architectural Series, Fire Protection Cabinet, Ambassador - C1015V10

FE CABINET, AMBASSADOR, 3/8" FT, VERT DUO, CLR ACR, CRS TUB, CRS DR/TRM, ALL WHT, 10 TUB



## SPECIFICATIONS:

**Tube Material:** 24 gauge galvanized steel

**Trim Material & Style:** 20 gauge CRS, fully recessed  $\frac{3}{8}$ " square edge

**Door Material & Style:** 20 gauge CRS, vertical duo

**Glazing:** 0.090" clear acrylic ( $8\frac{1}{2}$ " x  $22\frac{3}{4}$ ")

**Finish:** Powder coat white door and trim, painted white tub

**Hinge:** Continuous hinge opens door 180 degrees, 20 gauge CRS powder coat white

**Hardware:** Zinc plated pull handle, roller catch, glass clips & screws

**Rough Opening:**  $11\frac{1}{2}$ " x 25" x  $5\frac{7}{8}$ "

**Fire Rating:** Not rated

**ADA Compliant:** Cabinet meets 4" maximum protrusion, locate handle maximum 48" above floor

**Compatible Extinguisher:** Cosmic 2.5lb. - 10lb., Galaxy 2.5lb - 10lb., Mercury 2.5lb. - 5lb., Sentinel 5lb.

## MODEL # BREAKDOWN:

C — Product Line: Fire protection, cabinet

10 — Tub Size:  $10\frac{1}{2}$ " x 24" x 6"

1 — Trim and Door Material: CRS, powder coat finish

5 — Trim Style: Fully recessed  $\frac{3}{8}$ " square edge

V — Door Style: Vertical duo, pull handle, roller catch

10 — Door Glazing: 0.090" clear acrylic

— Color: All white

## REPLACEMENT PARTS:

Tub: TUB-10-PP

Trim: T-1015

Door: D-101V

Glazing: G10F10

Hardware Pack: HPFPUS

**MODEL #: C1015V10**



800-554-6077  
 sales@activarcpg.com  
 www.activarcpg.com

9702 Newton Ave S. Bloomington, MN 55431 | Many Locations Nationwide

Distributor:		Project:
Contractor:		Approved By:
Date:	Quantity:	Architect:
Scale: 1:8.25	Pages: 1 OF 1	Drawing #: C1015V10-SUBMITTAL