

SUBMITTAL: CAVALIER FIRE-FX2™ BRONZE AND BRASS FIRE-RATED EXTINGUISHER CABINET

Select the Beauty and Upscale Finish of Bronze or Brass to add a Luxurious Look to Your Next Project.

Door and Trim Construction: Cabinets are available in US 10 satin bronze or US 3 polished brass. Flush cabinet doors with a 5/8" door stop are attached by a continuous hinge and equipped with zinc-plated handle that is painted to match the finish, and roller catch. All models have 1-3/4" wide trim on frame and 1-1/4" trim on doors with glazing. Can also be ordered with our theft-deterrent Saf-t-Lok™ which features a cylinder lock with a plastic cam allowing the door to be opened with a sharp tug.

Trim Style and Depth: Recessed - 3/8" flat trim. Semi-Recessed - 1 1/4", 1 1/2" Square Edge or 3" Rolled Edge. Surface-mount has a square edge.

Tub: The tub is constructed of cold rolled steel with white powder-coat finish standard. Fire-resistant material is attached to the exterior of the tub.

Fire Rating: Fire-FX2™ cabinets are UL listed and labeled as an approved membrane penetration firestop system for up to 2 hours in accordance with UL 1479 (ASTM-E814) and CAN/ULC-S115, when properly installed in a wall assembly according to installation instructions.



1855S21FX2



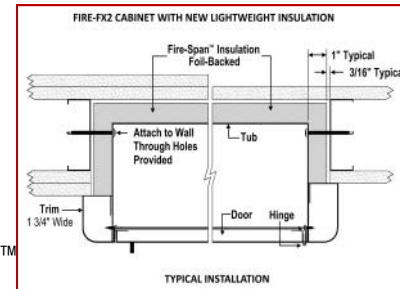
1847S21FX2

STEP 1: Select Model from Chart on Page 2

- A. Determine Trim Style according to wall depth.
- B. Determine Tub I.D. according to size most suited for extinguisher and wall opening.
- C. Select Model and Material

STEP 2: Select Door Style with Pull Below: (See page 2 to view styles)

<input type="checkbox"/> F Full Glazing	<input type="checkbox"/> S21 Solid
<input type="checkbox"/> G Full Glazing & Saf-t-Lok™	<input type="checkbox"/> L22 Solid & Saf-T-Lok™
<input type="checkbox"/> D Horizontal Duo Panel	<input type="checkbox"/> L24 Solid with Cylinder Lock & No Handle
<input type="checkbox"/> E Horizontal Duo Panel & Saf-T-Lok™	<input type="checkbox"/> B10 Solid with Glass Insert & Saf-T-Lok™
	<input type="checkbox"/> V Vertical Duo
	<input type="checkbox"/> W Vertical Duo & Saf-T-Lok™



STEP 3: Select Door Glazing Below

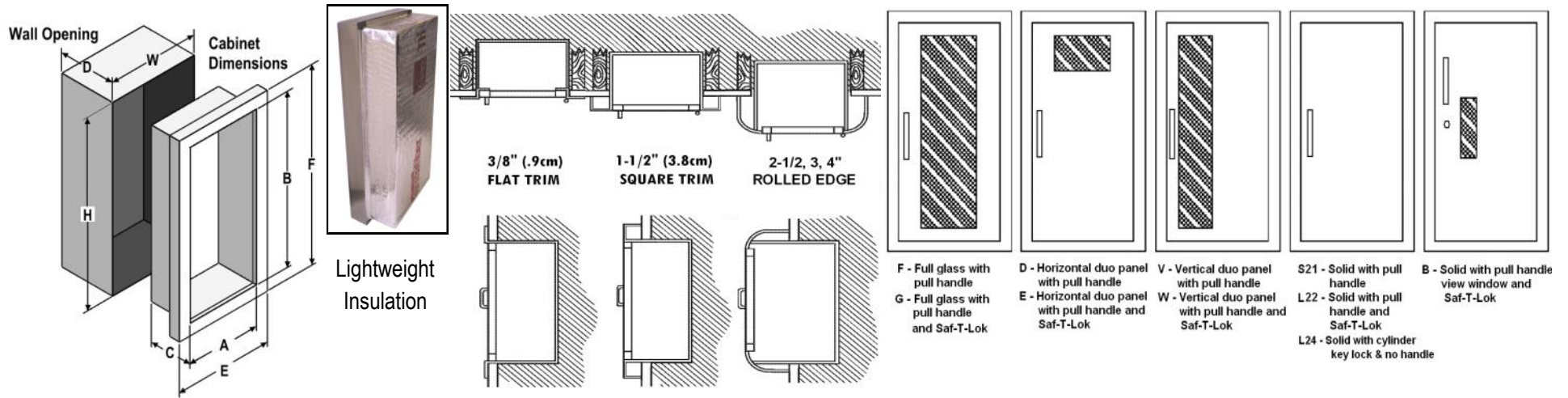
<input type="checkbox"/> 10 Clear Acrylic	<input type="checkbox"/> 15 Bronze Acrylic	<input type="checkbox"/> 17 Clear Tempered Glass
<input type="checkbox"/> 13 Clear Wire Glass w/Safety Film	<input type="checkbox"/> 16 Gray Acrylic	<input type="checkbox"/> 18 Laminated Safety Glass

STEP 4: Options at Additional Cost (Select Any)

<input type="checkbox"/> Futura Embossed "Fire" Handle: __ Mill __ White __ Red	<input type="checkbox"/> Bronze Door & Trim: US9 Bright Polished	<input type="checkbox"/> FE Diecut Letters - Black Vertical
<input type="checkbox"/> Flush Pull	<input type="checkbox"/> Bronze Door & Trim: US10B Oil-rubbed	<input type="checkbox"/> FE Diecut Letters - Red Vertical
<input type="checkbox"/> Panorama-Style Full Acrylic Door. Style: _____	<input type="checkbox"/> Brass Door & Trim: US4 Satin	<input type="checkbox"/> FE Diecut Letters - White Vertical
<input type="checkbox"/> Optional Color Tub	<input type="checkbox"/> (CA) Commander Alarm	<input type="checkbox"/> FE Diecut Letters - Black Horizontal
<input type="checkbox"/> Etched Lettering in Glass - Attach Custom Lettering	<input type="checkbox"/> (BA) Brigadier Alarm	<input type="checkbox"/> FE Diecut Letters - Red Horizontal
<input type="checkbox"/> Submittal		

<p>JL INDUSTRIES</p> <p>ACADEMY AND FIRE-FX2 ARE TRADEMARKS OF ACPG</p>	Distributor:	Quantity:
	Contractor:	Approved By:
	Model #:	Architect:
	Project:	Date: © 2022 Activar Construction Products Inc
HEADQUARTERS: 9702 NEWTON AVE S, BLOOMINGTON, MN 55431 PH: 800-554-6077 EMAIL: SALES@ACTIVARCPG.COM WWW.ACTIVARCPG.COM MANUFACTURING: BLOOMINGTON, MN & COMMERCE, CA WAREHOUSES: SEE WEBSITE FOR LOCATIONS 1/24/22		

SUBMITTAL: CAVALIER FIRE-FX2 FIRE-RATED EXTINGUISHER CABINET



Trim and Door Material and Series #		Tub I.D.			Frame O.D.		FX Wall Opening			Accommodates Following Extinguishers					
QTY	US10 Satin Bronze	QTY	US10B Oil Rubbed Bronze	QTY	US3 Polished Brass	Trim Style	A	B	C	E	F	W	H	D	
	1845		1885		1855	Flat Trim	10 1/2	24	5 1/2	13 7/8	27 3/8	12 13/16	26 5/16	6 7/16	Cosmic & Galaxy 2 1/2-6 (6lb must be mounted on tub), Mercury 2 1/2, 5
	1846		1886		1856	1 1/2" Square	10 1/2	24	5 1/2	13 7/8	27 3/8	12 13/16	26 5/16	5 13/16	
	1847		1887		1857	3" Rolled	10 1/2	24	5 1/2	13 7/8	27 3/8	12 13/16	26 5/16	3 5/8	
	1045		1085		1055	Flat Trim	10 1/2	24	6	13 7/8	27 3/8	12 13/16	26 5/16	6 15/16	Cosmic & Galaxy 2 1/2-10 Sentinel 5, Mercury 2 1/2, 5
	1046		1086		1056	1 1/2" Square	10 1/2	24	6	13 7/8	27 3/8	12 13/16	26 5/16	5 11/16	
	1047		1087		1057	3" Rolled	10 1/2	24	6	13 7/8	27 3/8	12 13/16	26 5/16	4	
	2045		2085		2055	Flat Trim	12	27	7 3/4	15 3/8	30 3/8	14 5/16	29 5/16	8 11/16	Any Cosmic or Galaxy (20 lb must be mounted on tub), Mercury, Saturn or Grenadier P, Sentinel 5, 10, Nebula 270
	2046		2086		2056	1 1/4" Square	12	27	7 3/4	15 3/8	30 3/8	14 5/16	29 5/16	7 11/16	



2048V10FX2
US10B Oil-Rubbed
Finish with White
Vertical Diecut Letters

- Cabinets that Meet 4" Maximum ADA Projection Requirement