

SUBMITTAL: 1400 FX2™ LIFESTART™ FIRE-RATED AED CABINET

Protect valuable Automated External Defibrillators (AED's) with durable Lifestart cabinets. Each cabinet is equipped with a 85 dB door alarm to deter tampering. This series in steel, stainless steel or aluminum fits most AED's on the market

Frame, Trim and Door: #4 brushed stainless steel, clear anodized aluminum or steel with white powder-coat finish. 5/8" door stop and continuous hinge.

Trim Style & Depth: Recessed – 3/8" flat trim, Semi-Recessed – 1-1/2" square edge, 3 or 4" rolled edge (4" has recessed pull).

Door: Formed door with zinc-plated handle and roller catch for F and S21 models. Theft-deterrent SAF-T-LOK™ available on G and L22 models.

Tub: White powder-coated steel. Fire-resistant material is attached to the exterior of the tub.

Alarm: 85 dB Commander (audible) alarm standard with keyed on/off switch on the door.

Fire-Rating: Fire-FX2™ cabinets are fabricated in accordance with the UL label for one and two hour combustable and non-combustible wall system building codes. The fire testing has met the requirement of ANSI/UL 1479 (ASTM –E814) and ULC/CAN S115-for membrane and penetration firestops. Installation instructions must be strictly adhered to in order to obtain the fire rating.



1417F12FX2 Semi-Recessed Cabinet with 3" Rolled Trim & Silkscreen AED Graphic



1435F12FX2 Fully-Recessed Stainless Steel Cabinet with Flat Trim & Silkscreen AED Graphic

STEP 1: SELECT MODEL NUMBER AND QUANTITY ON CHART (refer to chart on page 2)

- A. Determine Trim Style according to wall depth. B. Determine Tub I.D. according to size most suited for contents and wall opening..

STEP 2: SELECT DOOR STYLE Check one box below

- | | |
|---|---|
| <input type="checkbox"/> F Full Glazing | <input type="checkbox"/> W Vertical Duo with SAF-T-LOK |
| <input type="checkbox"/> G Full Glazing with SAF-T-LOK | <input type="checkbox"/> S21 Solid Door |
| <input type="checkbox"/> V Vertical Duo | <input type="checkbox"/> L22 Solid Door with SAF-T-LOK |

STEP 3: SELECT GLAZING Check one box below

- | | |
|--|---|
| <input type="checkbox"/> 12 Acrylic | <input type="checkbox"/> 17 Tempered |
|--|---|

Note: Only F12 and G12 combinations have large AED heart silk screen graphics - All others include AED diecut lettering as shown below

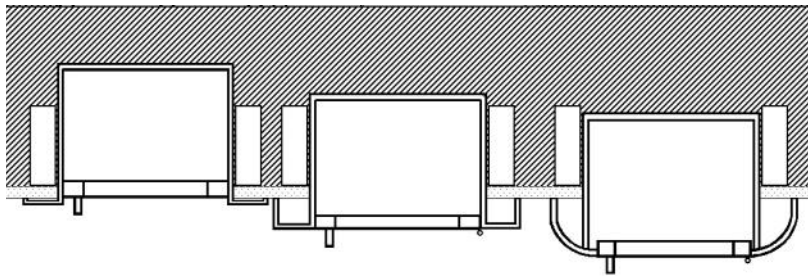
STEP 4: SELECT OPTIONAL FEATURES AT ADDITIONAL COST

- | | |
|--|---|
| <input type="checkbox"/> (SA) Siren Strobe Alarm 85 dB Alarm (3" & 4" Trim Models Only) | <input type="checkbox"/> Optional Color: _____ See page 2 for colors. |
| <input type="checkbox"/> (STC) Saf-T-Clasp for Visual Notification When Door has been opened | <input type="checkbox"/> Wall Signs: __ Flat __ Tent __ Rt Angle __ Bi-Lingual __ Directional
(See separate submittal for more details on these plastic signs) |
| <input type="checkbox"/> (14MAG) Magnetic Door Contact for Existing Alarm Systems | <input type="checkbox"/> Etched, Silkscreen or Engraved Lettering - Check here and attach separate submittal |
| <input type="checkbox"/> (14RR) Roller Reed Ball Contact for Existing Alarm Systems | Custom Door Graphics - company logos, photos - Contact Cust. Service |
| <input type="checkbox"/> Optional Dark Bronze Anodized Aluminum Finish (Pulls painted to match) | Bronze or Brass Finish - See separate submittal on website. |
| <input type="checkbox"/> Optional Stainless Steel Finishes __ #6 __ #7 View Finishes Online | Automated External Defibrillator sold separately - see website |
| <input type="checkbox"/> Optional Tub Color: __ Black __ Red | See website for more information on the above options. |
| <input type="checkbox"/> Optional Stainless Tub for Stainless Trim Models | |
| <input type="checkbox"/> (PRH) Flush Pull Handle (Includes AED die cut and decal shown below) | |
| <input type="checkbox"/> (PUCH) Polished Chrome Handle | |

AED die cut (1-1/4" x 5-3/8) and Warning decal (3/4" x 3-1/2") included with all cabinets except F12 and G12



<p>LIFESTART and FX2 are Trademarks of ACPG PLEASE DOWNLOAD MOST CURRENT SUBMITTAL FROM WEBSITE BEFORE ORDERING</p>	Distributor:	Quantity:
	Contractor:	Approved By:
	Model #:	Architect:
	Project:	Date: © 2021 Activar Construction Products Group, Inc.



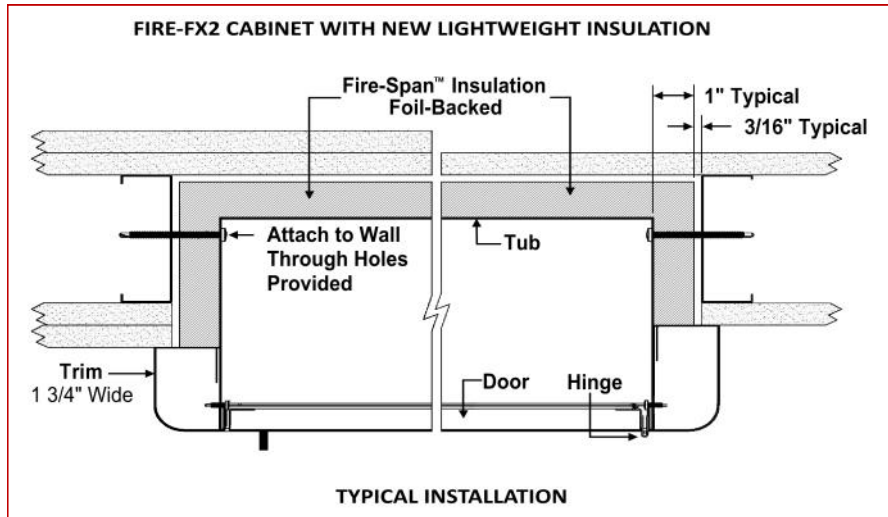
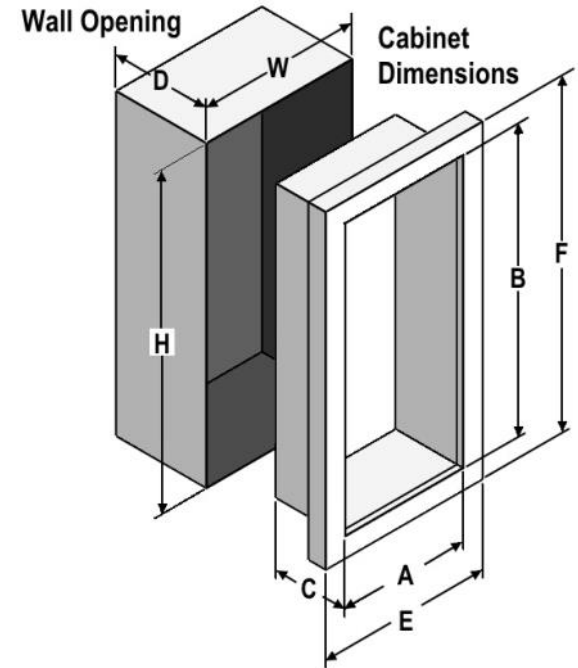
3/8" Flat Trim

1-1/2" Square

2-1/2, 3" or 4"
Rolled Edge



Lightweight
Insulation



Double Wall Construction with Fire-Resistant Liner Shown Above

Optional Colors at Additional Cost - Samples Available			
Gray	Red	Black/Flat Black	Silver
Sand	AMS Beige	SC Flat Beige	Bronze

TRIM & DOOR MATERIAL & SERIES #						TUB I.D.		FRAME O.D.			FIRE-RATED WALL OPENING				
QTY	STEEL	QTY	ALUMINUM	QTY	STAINLESS STEEL	TRIM STYLE		A	B	C	E	F	W	H	D
	1415_FX2		1425_FX2		1435_FX2	3/8" Flat Trim		14"	14"	6-3/4"	17-3/8"	17-3/8"	16-5/16"	16-5/16"	7-3/4
	1416_FX2		1426_FX2		1436_FX2	1-1/2" Square Trim		14"	14"	6-3/4"	17-3/8"	17-3/8"	16-5/16"	16-5/16"	7-1/8
	1417_FX2		--		1437_FX2	3" Rolled Trim		14"	14"	6-3/4"	17-3/8"	17-3/8"	16-5/16"	16-5/16"	5
	--		1427_FX2		--	2 1/2" Rolled Trim		14"	14"	6-3/4"	17-3/8"	17-3/8"	16-5/16"	16-5/16"	6-1/8
	1412_FX2		--		1432_FX2	4" Rolled Trim/Recessed Pull		14"	14"	6-3/4"	17-3/8"	17-3/8"	16-5/16"	16-5/16"	4-1/8
	--		1422_FX2		--	4" Rolled Trim/Recessed Pull		14"	14"	6-3/4"	17-3/8"	17-3/8"	16-5/16"	16-5/16"	5-7/8